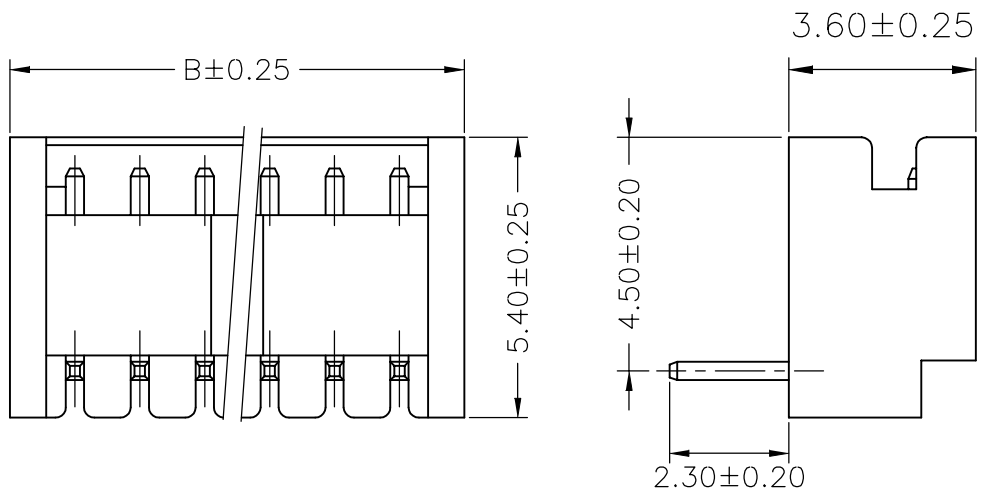
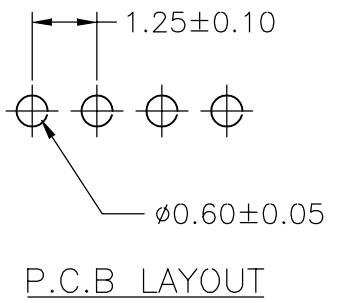
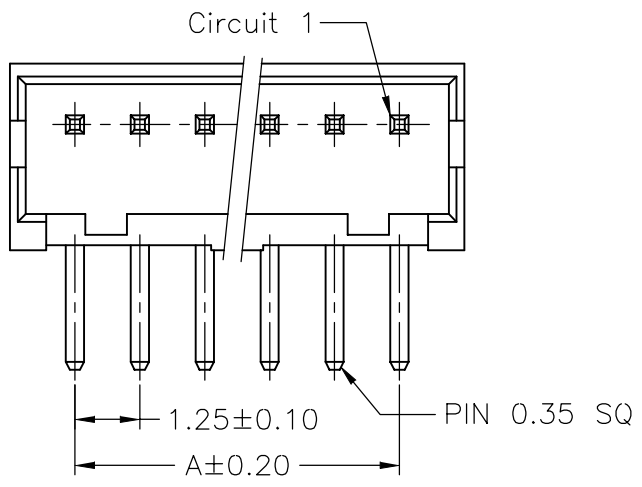


**SPECIFICATIONS**  
 Current Rating: 1A AC,DC  
 Voltage Rating: 100V AC,DC  
 Temperature Range: -25°C ~ +85°C  
 Contact Resistance: 20mΩ Max.  
 Insulation Resistance: 500MΩ Min.  
 Withstanding Voltage: 500V AC/minute  
 Pin Material: Brass/Tin-plated  
 Material: Nylon 66,UL94V-0



**Ordering Information & Dimensions**

PART NO.	Dimensions	
	A	B
DF13-R-1X02	1.25	3.75
DF13-R-1X03	2.50	5.00
DF13-R-1X04	3.75	6.25
DF13-R-1X05	5.00	7.50
DF13-R-1X06	6.25	8.75
DF13-R-1X07	7.50	10.00
DF13-R-1X08	8.75	11.25
DF13-R-1X09	10.00	12.50
DF13-R-1X10	11.25	13.75
DF13-R-1X11	12.50	15.00
DF13-R-1X12	13.75	16.25
DF13-R-1X13	15.00	17.50
DF13-R-1X14	16.25	18.75
DF13-R-1X15	17.50	20.00



PART NO. **DF13-R-1Xxx**

DWG NO. **DF13-R-1Xxx**

FILE NO.

UNIT / mm

SCALE 1:1

CHECKED BY CY

DRAWING BY

PROJECTION

TOLERANCES ARE  
 .X ± 0.2  
 .XX ±  
 .XXX ±  
 AWG

DESCRIPTION:  
 AREA

**1.25mm PITCH  
 90° SINGLE ROW WAFER**  
 REVISIONS  
 HK  
 DATE

煜倫股份有限公司