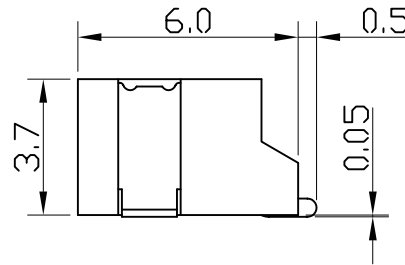
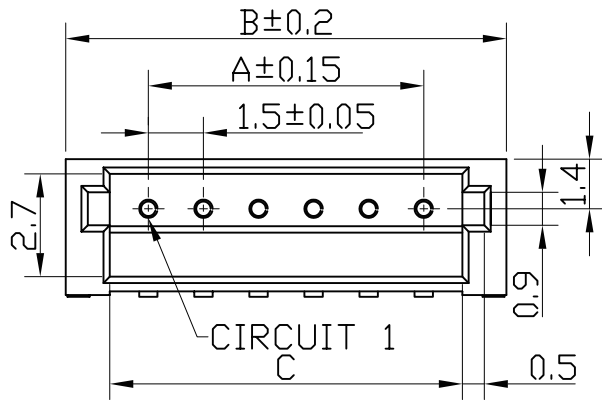


P.C.B LAYOUT



SPECIFICATION:
 PITCH BETWEEN POLES : 1.5mm
 CURRENT RATING : 1A AC/DC
 VOLTAGE RATING : 50V AC/DC
 CONTACT RESISTANCE : 20mohm (max.)
 INSULATION RESISTANCE : 500Mohm MIN
 WITHSTAND VOLTAGE : 500V AC/MINUTE
 TEMPERATURE RANGE : -25°C TO +85°C
 FEATURES:

AVAILABLE NUMBER OF CIRCUITS : 2 TO 13
 MATERIAL : NYLON 9T UL 94V-0
 CONTACT : 0.50mm(.020") ROUND PIN,
 BRASS , TIN PLATED

Dimensional and Order Information

Poles	DIM: (mm)		
	A	B	C
2	1.50	6.00	3.60
3	3.00	7.50	5.10
4	4.50	9.00	6.60
5	6.00	10.50	8.10
6	7.50	12.00	9.60
7	9.00	13.50	11.10
8	10.50	15.00	12.60
9	12.00	16.50	14.10
10	13.50	18.00	15.60
11	15.00	19.50	17.10
12	16.50	21.00	18.60
13	18.00	22.50	20.10

RoHS Compliant

TOLERANCES ARE

MORETHANALL
 PCB CONNECTORS
 Cable ASSEMBLIES

煜倫股份有限公司

www.morethanall.com

DRAWING BY CY

CHECKED BY GENIUS

UNIT/ mm

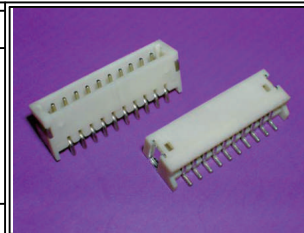
SCALE 1:1

DATE

SIZE A4

P PROJECTION

X, ±
 .X ±
 .XX ±
 .XXX ±
 ANG ±



ORDER INFORMATION



DESCRIPTION: 1.5mm ZH 90° SMT