

**Material & Finish**

SHELL:

ABS BLACK

INSULATOR

PBT UL 94V-0, BLACK

PIN CONTACT:

PHOSPHOR BRONZE,

GOLD FLASH

CURRENT RATING:

5 Amp

DIELECTRIC STRENGTH:

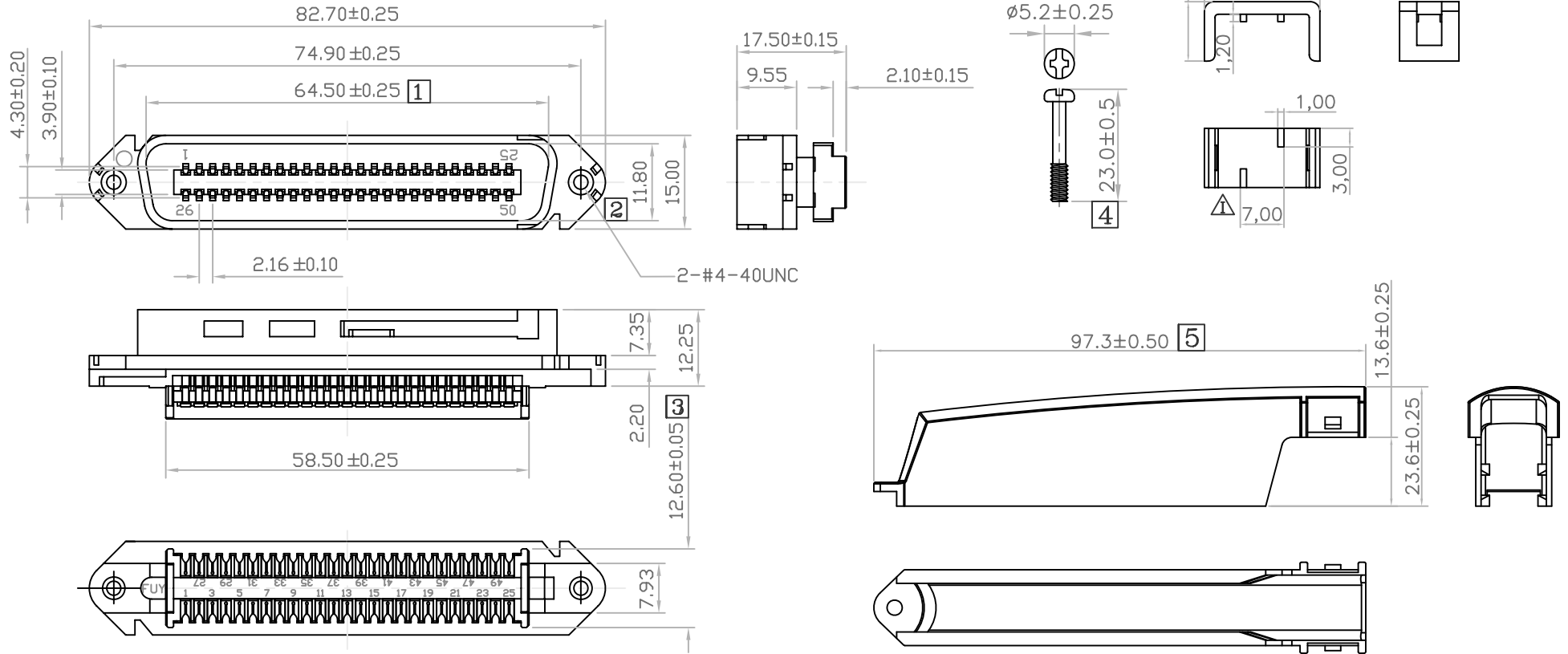
1000V for one minute

INSULATOR RESISTANCE:

1000MΩ Min. (at 500V DC)

TEMPERATURE:

-55°C to +105°C



**RoHS Compliant**

TOLERANCES ARE

**MORETHANALL**  
PCB CONNECTORS  
Cable ASSEMBLIES

DRAWING BY CY

X ± 0.40

CHECKED BY GENIUS

.X ± 0.30

UNIT / mm

SCALE 1 : 1

.XX ± 0.20

DATE

.XXX ±

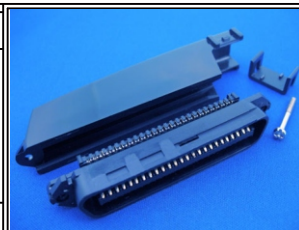
ANG ± 3°

煜倫股份有限公司

www.morethanall.com

SIZE A4

PJECTION



**ORDER INFORMATION**

CTL-PK-50-LF  
SERIES | T LEADFREE  
50 WAY  
BLACK  
MALE

DESCRIPTION: CENTRONIC I. D. C. TYPE MALE 50PIN RIGHT ANGLE COVER ALL PLASTIC