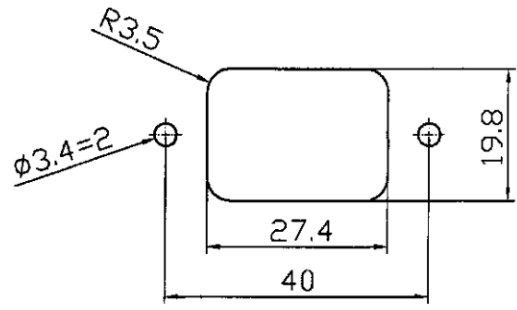
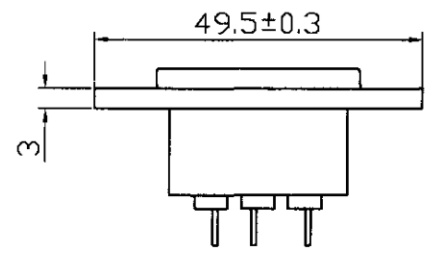
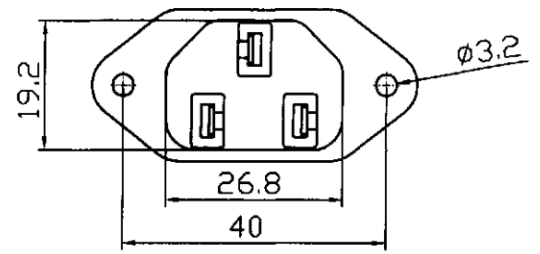
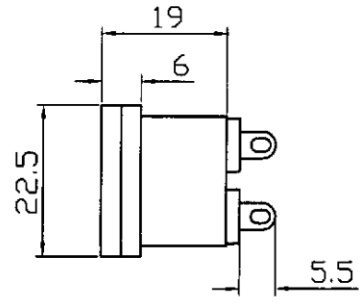
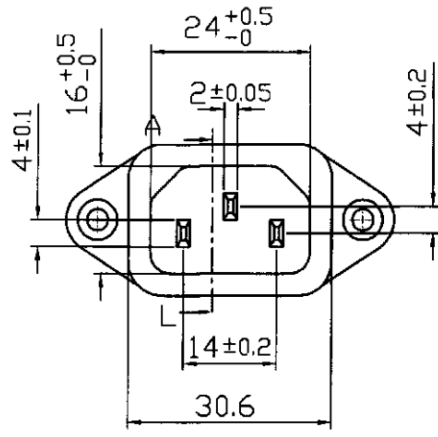
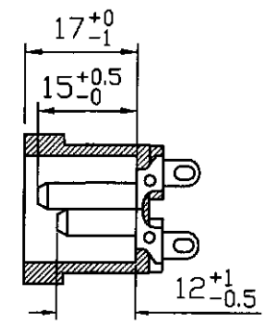


物質名稱	限值	測試方法
Pb(鉛)	<50PPM	IEC62321, IEC111, IECmethod, section11, 120r13
Cd(鎘)	<5PPM	IEC62321, IEC111, IECmethod, section11, 120r13
Hg(汞)	Not Detection	IEC62321, IEC111, IECmethod, section10
Cr(六價鉻)	Not Detection	IEC62321, IEC111
PBBS類	Not Detection	IEC62321, IEC111, IECmethod, section7
PBDES類	Not Detection	IEC62321, IEC111, IECmethod, section7



PANEL CUT-OUT



SECTIONAL

TOLERANCE UNLESS OTHERWISE MARKED	10A/15A 250V~
DIMENSION : 0 — 10 ± 0.1	1. SOLDERING: PIN BRASS STRIP 0.8X3T TIN PLATING
比例 : 1:1 10 — 30 ± 0.3	2. CONTACT: PIN BRASS STRIP 2X4 TIN PLATING
UNIT : mm 30 — 100 ± 0.5	3. BODY INSULATOR: PBT UL94V-0

RoHS Compliant

TOLERANCES ARE



煜倫股份有限公司

www.morethanall.com

DRAWING BY CY

CHECKED BY GENIUS

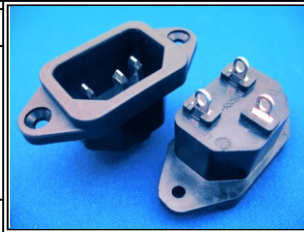
UNIT / mm SCALE 1:1

DATE

SIZE A4

X, ±
.X ±
.XX ±
.XXX ±
ANG ±

PJECTION



ORDER INFORMATION

ACF-PS4PE-03-LF
SERIES | | | LEADFREE
| | | 03 WAY
| | | EAR
| | | PANEL
| | | 4.8mm SOLDER
| | | MALE

DESCRIPTION: