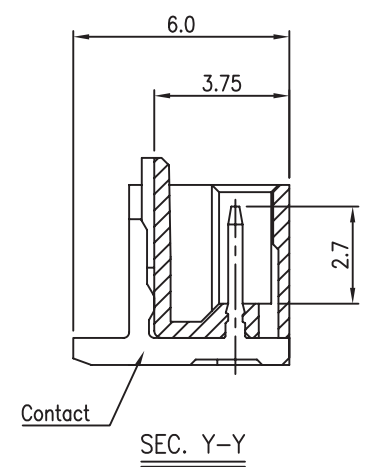
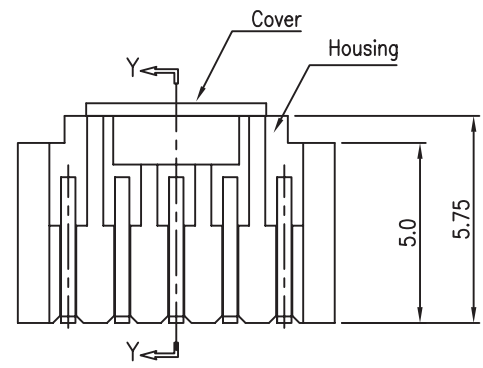


PCB LAYOUT

- NOTES:
- MATERIAL:
    - HOUSING: HALOGEN FREE PLASTIC,UL94V-0.
    - CONTACT: COPPER ALLOY
  - CONTACT:
    - 50U" NICKEL OVERALL, 120U" MIN. LEAD-FREE(PURE TIN).
    - 50U" NICKEL OVERALL, GOLD FLASH OVER ALL(1U" MIN).
    - 50U" NICKEL OVERALL, 120U" MIN. PURE TIN(MATT TIN) ALLOVER .
  - REFLOW SOLDER CAPABLE TO 260°C

ZHQ-VC-xx-LF  
LEADFREE  
02~09WAY  
RoHS Compliant



CKT	Dim A	Dim B
2	1.5	4.3
3	3.0	5.8
4	4.5	7.3
5	6.0	8.8
6	7.5	10.3
7	9.0	11.8
8	10.5	13.3
9	12.0	14.8

**MORETHANALL**  
CONNECTORS  
ASSEMBLIES

煜倫股份有限公司

PART NO. ZHQ-VC-xx		CHECKED BY CY	TOLERANCES ARE .X±0.2 .XX± .XXX± AWG	DESCRIPTION: 1.5mm WTB Header SMT Vertical Type	AREA	REVISIONS	HK	DATE
DWG NO. ZHQ-VC-xx								
FILE NO.		PROJECTION						
UNIT / mm	SCALE 1:1							