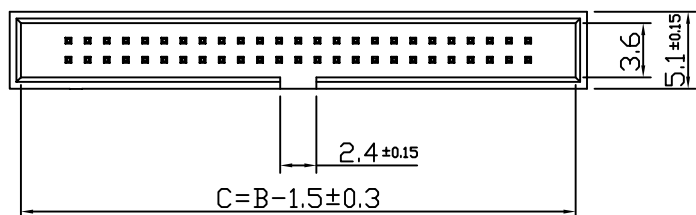
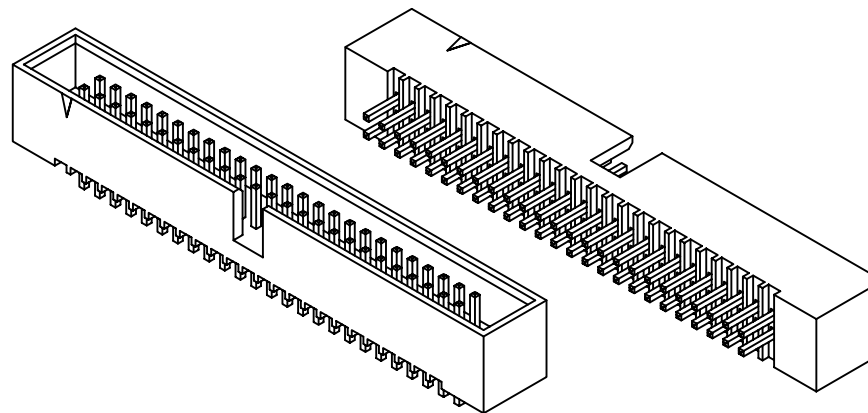


Contract:

Contact: Brass.

Insulator: Nylon 6T.

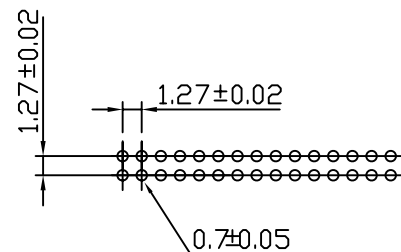
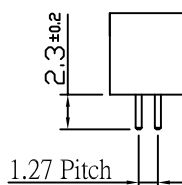
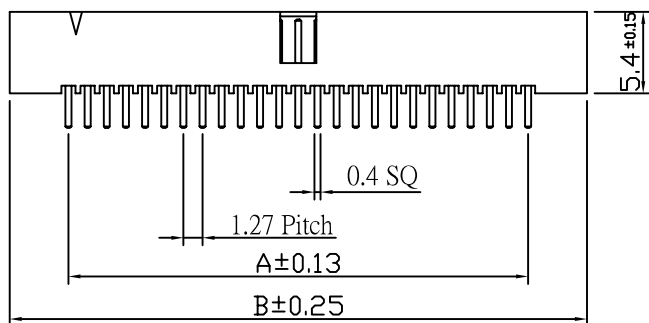
Finish: Gold flash plated over nickel.



HAB-D-xxx-LF
LEADFREE

RoHS Compliant

Circuits	Dimension	
	A	B
6	2.54	10.11
10	5.08	12.65
12	6.35	13.92
14	7.62	15.19
16	8.89	16.46
20	11.43	19.00
26	15.24	22.81
30	17.78	25.35
34	20.32	27.89
40	24.13	31.70
50	30.48	38.05
60	36.83	44.40
68	41.91	49.48
80	49.53	57.10
100	62.23	68.90



P.C. Board Layout

MORETHANALL
CONNECTORS
ASSEMBLIES

PART NO. HAB-D-xxx

DWG NO. HAB-D-xxx

FILE NO.

CHECKED BY CY

DRAWING BY

TOLERANCES ARE

.X ±0.2
.XX ±
XXX ±
AWG

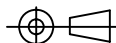
DESCRIPTION: 1.27-1.27 Pitch Box Header Straight

焯倫股份有限公司

UNIT / mm

SCALE 1:1

PROJECTION



AREA

REVISIONS

HK

DATE