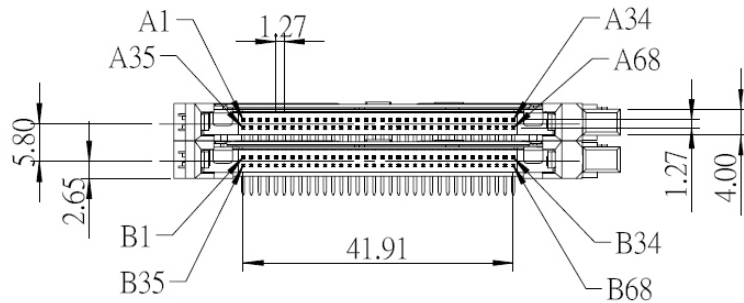


PCB LAYOUT : COMPONENT SIDE



NOTE:

1. INSPECTION SYMBOL:

● : MANUFACTURER INSPECTION

◆ : Q.C INSPECTION

2. PLEASE REFER TO TABLE 1 FOR TERMINAL LENGTH.

TABLE 1

PIN TYPE	DIM. L ±0.20	PIN NUMBER
DETECT	3.50 mm	A36,A67,B36,B67
GENERAL	4.25 mm	THE REST
POWER	5.00 mm	A1,A17,A34,A35,A51,A68 B1,B17,B34,B35,B51,B68

MORETHANALL
CONNECTORS
ASSEMBLIES

PART NO. PCCB1-PRL00V5RS-68

DWG NO. PCCB1-PRL00V5RS-68

FILE NO.

CHECKED BY CY

DRAWING BY

TOLERANCES ARE

.X ± 0.2

.XX ±

.XXX ±

AWG

DESCRIPTION:

焯倫股份有限公司

UNIT / mm

SCALE 1:1

PROJECTION



AREA

REVISIONS

HK

DATE