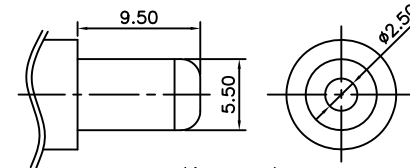
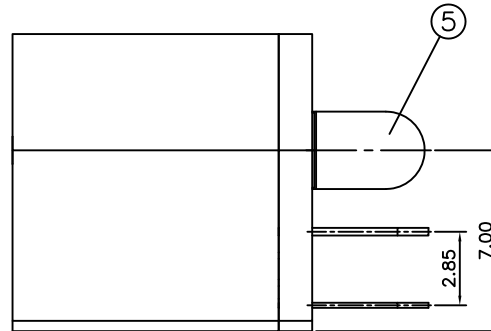
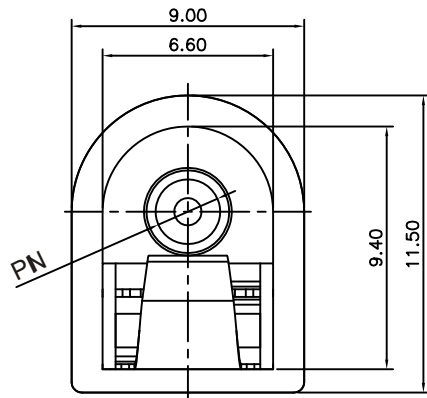
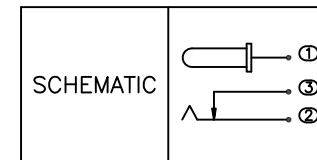


COMMENDED PCB LAYOUT(TOP VIEW)
ALL TOLERANCE ±0.03 mm



mating plug
(SCALE 2:1)



PIN	∅2.0	∅2.5
FILE NO.	DCJ-DH11-20	DCJ-DH11-25

NO.	PART NAME	Q'TY	MATERIAL	FINISH	REMARKS
6	BACK-COVER	1	P.B.T.	BLACK	-
5	POWER TERMINAL	1	COPPER ALLOY	Nickel 80u" plated	-
4	CONTACT TERMINAL	1	STAINLESS	Nickel 80u" plated	-
3	SPRING TERMINAL	1	COPPER ALLOY	Nickel 80u" plated	-
2	MATERIAL PIN	1	COPPER ALLOY	Nickel 80u" plated	-
1	HOUSING	1	P.B.T.	BLACK	-

RoHS Compliant

TOLERANCES ARE

MORETHANALL
PCB CONNECTORS
Cable ASSEMBLIES

煜倫股份有限公司

www.morethanall.com

DRAWING BY CY

CHECKED BY GENIUS

UNIT / mm SCALE 1 : 1

DATE

SIZE A4

P PROJECTION

X. ±
.X ±
.XX ±
.XXX ±
ANG ±



ORDER INFORMATION

DCJ-DH11-xx-LF
SERIES | LEADFREE
20:2.0∅
25:2.5∅
HIGH 10mm
180° SMT

DESCRIPTION: DC JACK CONNECTOR 2.5mm VERTICAL TYPE