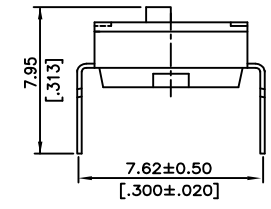
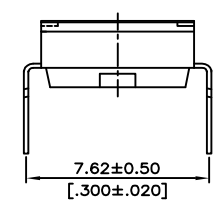
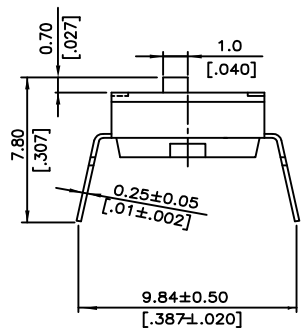
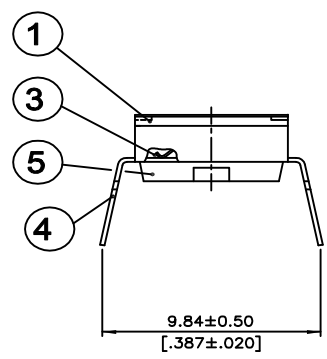
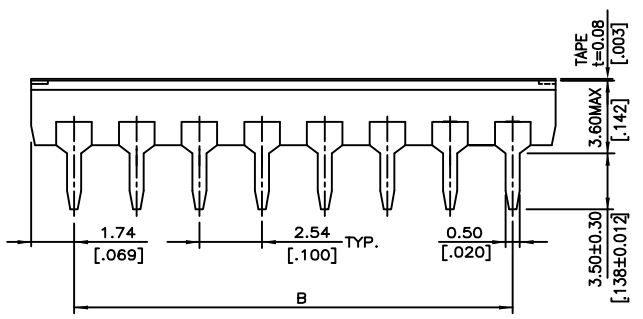
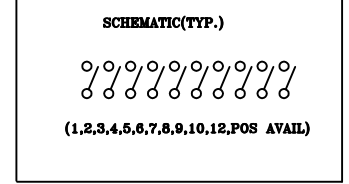
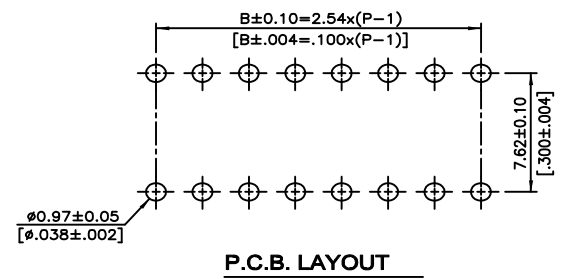
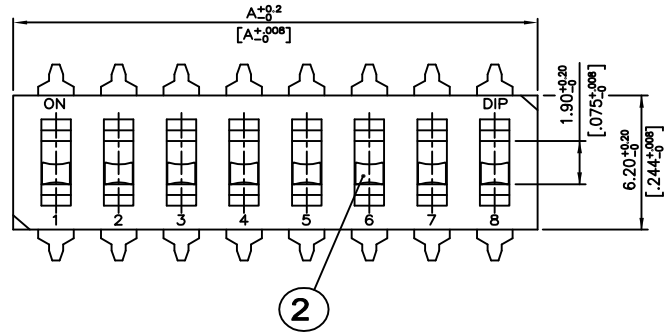


NOTE: 1. ALL DIMENSIONS ARE IN MILLIMETERS, BRACKETED DIMENSIONS ARE IN INCHES.
 2. GENERAL TOLERANCES: 10mm OVER - ±0.20mm.
 10mm BELOW - ±0.10mm.
 3. SW-SCXX-01~03 ARE WITHOUT "DIP" PRINTING.

12	31.42[1.237]	27.94[1.100]
10	26.34[1.037]	22.86[.900]
9	23.80[.937]	20.32[.800]
8	21.26[.837]	17.78[.700]
7	18.72[.737]	15.24[.600]
6	16.18[.637]	12.70[.500]
5	13.64[.537]	10.16[.400]
4	11.10[.437]	7.62[.300]
3	8.56[.337]	5.08[.200]
2	6.02[.237]	2.54[.100]
1	3.48[.137]	—
NO. OF POS.	DIM. A	DIM. B



SW-SCxx-xx-LF
LEADFREE

RoHS Compliant



煜倫股份有限公司

PART NO. SW-SCxx-xx		CHECKED BY CY		TOLERANCES ARE .X ± 0.2 .XX ± .XXX ± AWG	DESCRIPTION: MECHINE INSERTABLE IEC TYPE DIP SWITCH
DWG NO. SW-SCxx-xx		DRAWING BY			
FILE NO.		PROJECTION		AREA	REVISIONS
UNIT / mm	SCALE 1:1			HK	DATE