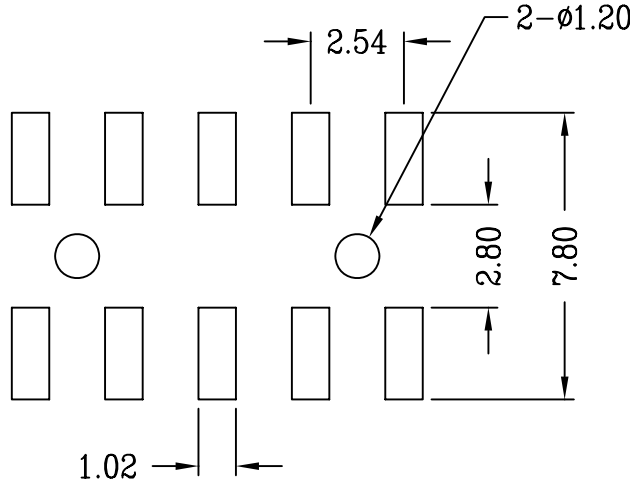
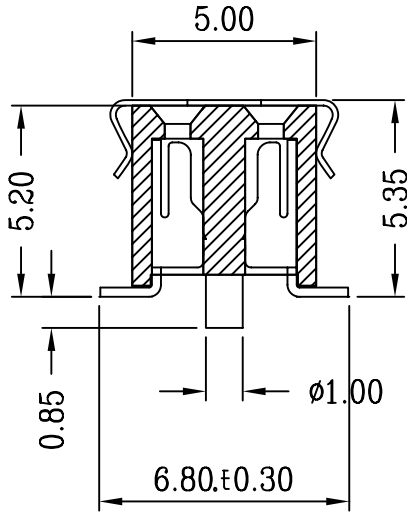
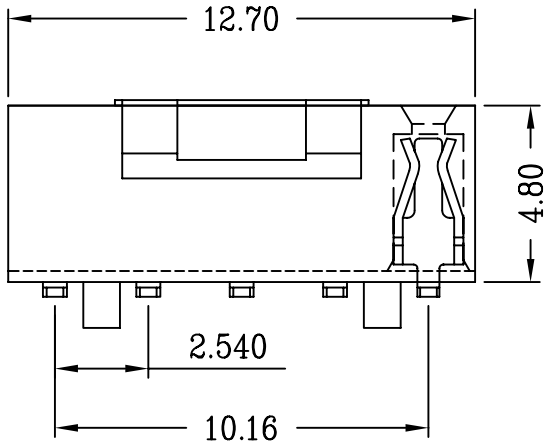
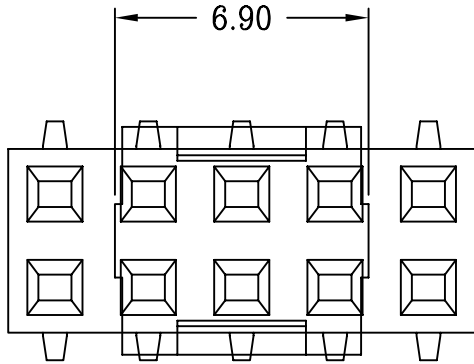


SPECIFICATIONS

CURRENT RATING: 3 AMP
 INSULATION RESISTANCE: 1000M OHMS MIN.
 DIELECTRIC WITHSTANDING: 600V AC/DC
 CONTACT RESISTANCE: 20m OHMS MAX.
 OPERATING TEMPERATURE: -25°C ~ +85°C

MATERIALS

CONTACT MATERIAL: PHOSPHOR BRONZE
 INSULATION MATERIAL: POLYESTER, UL 94V-0
 NYLON 6T



RECOMMENDED P.C.B LAYOUT

RoHS Compliant

TOLERANCES ARE

MORETHANALL
 PCB CONNECTORS
 Cable ASSEMBLIES

DRAWING BY CY

X. ±

CHECKED BY GENIUS

.X ± 0.35

UNIT / mm

SCALE 1 : 1

.XX ±

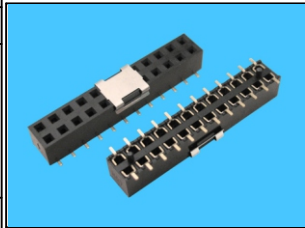
.XXX ±

ANG ±

DATE

SIZE A4

PPOJECTION



ORDER INFORMATION

F-V52PC-2Xxx-LF
 SERIES | LEADFREE
 180°SMT | 2X02:04WAY
 HIGH 5.2mm | 2X40:80WAY
 CAP | POST

DESCRIPTION: 2.54mm Female Socket Dual Row SMD type (H=5.2)

煜倫股份有限公司

www.morethanall.com