

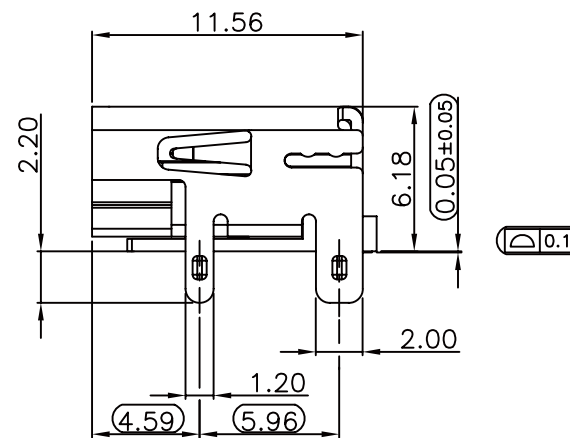
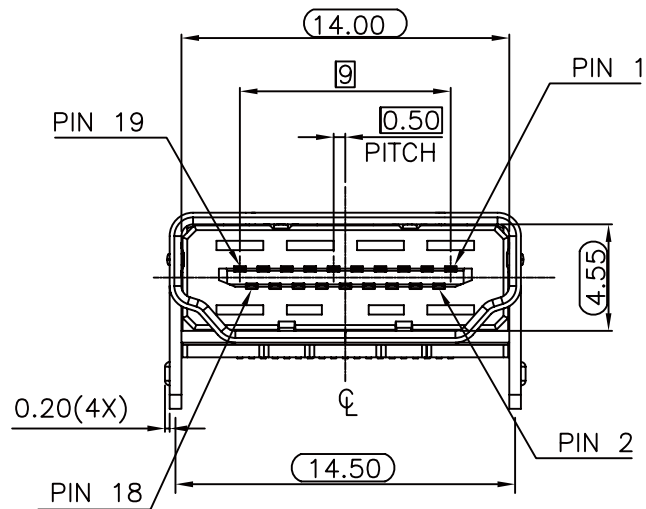
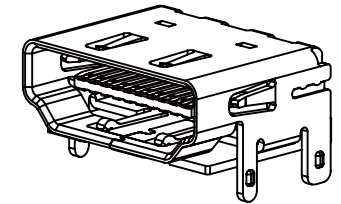
NOTES:

1.MATERIALS:

HOUSING:THERMAL PLASTIC UL94V-0
 CONTACTS:COPPER ALLOY
 SHELL:COPPER ALLOY

2.FINISH:

SHELL: 50u" NICKEL PLATED
 TERMINALS: CONTACT AREA GOLD PLATED 15u"~30u"
 OVER NICKEL 50u" UNDERPLATED
 SOLDER END TIN PLATED 100u"
 Tin/Lead Free (Brighten Tin/Matte Tin)



RoHS Compliant

TOLERANCES ARE

MORETHANALL
 PCB CONNECTORS
 Cable ASSEMBLIES

DRAWING BY CY

CHECKED BY GENIUS

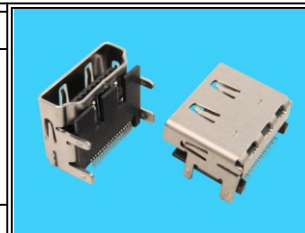
UNIT/mm SCALE 1:1

DATE

SIZE A4

X, ±
 .X ±
 .XX ±
 .XXX ±
 ANG ±

PJECTION



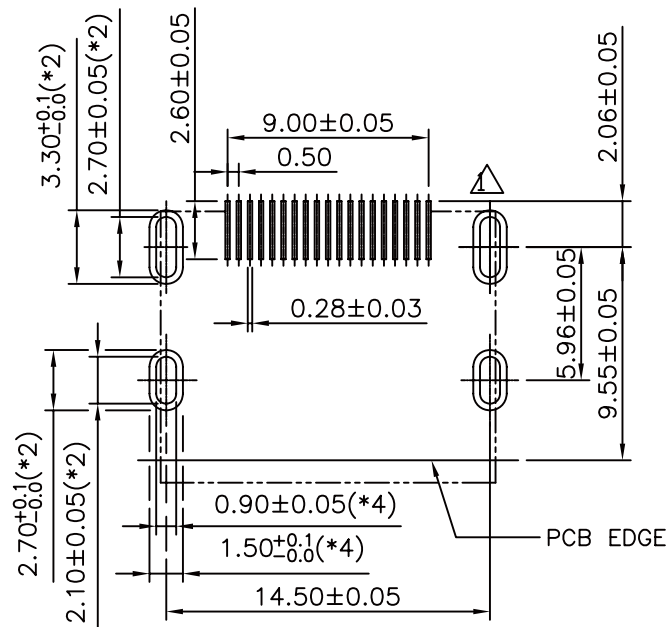
ORDER INFORMATION

HDMI-SWM-19-LF
 SERIES | LEADFREE
 19WAY
 METAL FOOT
 90° SMT
 FEMALE

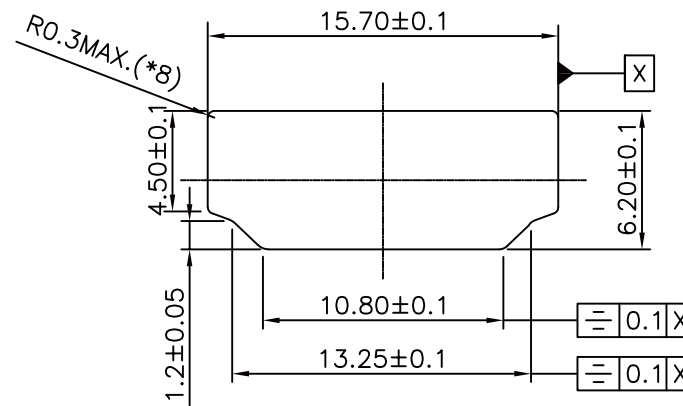
DESCRIPTION: HDMI FEMALE SMT THROUGH HOLE TYPE WITHOUT FLANGE (1/2)

煜倫股份有限公司

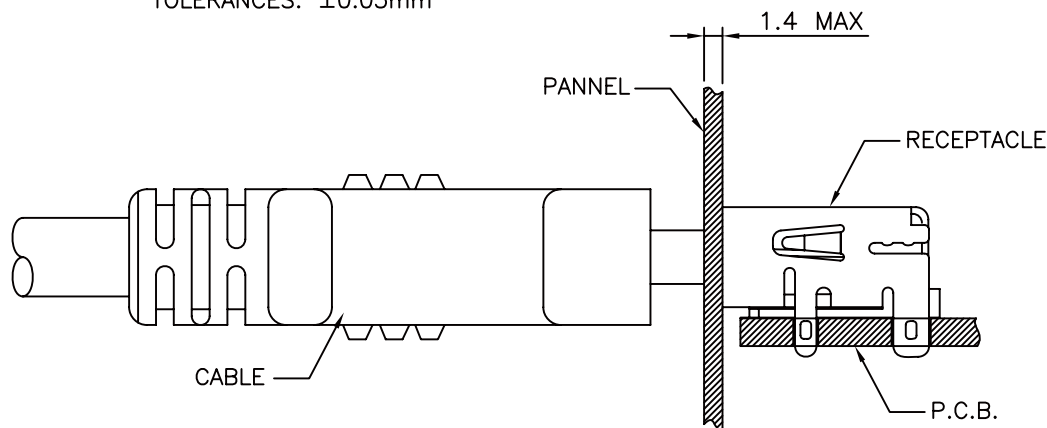
www.morethanall.com



RECOMMENDED PCB LAYOUT (THICKNESS=1.6±0.15mm)
TOLERANCES: ±0.05mm



REFERENCE PANEL CUT OUT DIMENSION



REFERENCE MOUNT DIMENSION

MORETHANALL
PCB CONNECTORS
Cable ASSEMBLIES

煜倫股份有限公司

www.morethanall.com

RoHS Compliant

DRAWING BY CY

CHECKED BY GENIUS

UNIT/mm

SCALE 1:1

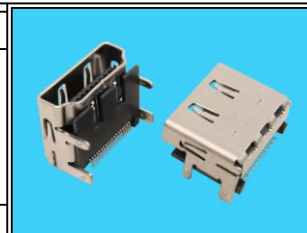
DATE

SIZE A4

PJECTION

TOLERANCES ARE

X, ±
.X ±
.XX ±
.XXX ±
ANG ±



ORDER INFORMATION

HDMI-SWM-19-LF
SERIES | LEADFREE
19WAY
METAL FOOT
90° SMT
FEMALE

DESCRIPTION: HDMI FEMALE SMT THROUGH HOLE TYPE
WITHOUT FLANGE (1/2)