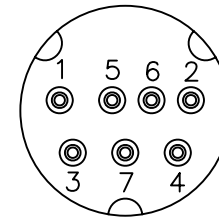
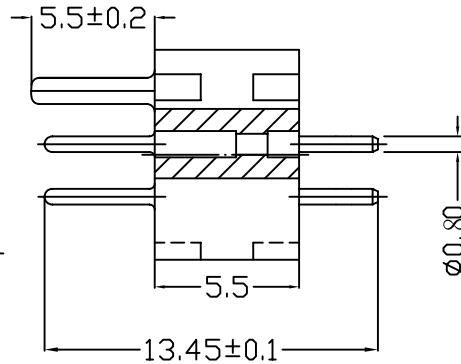
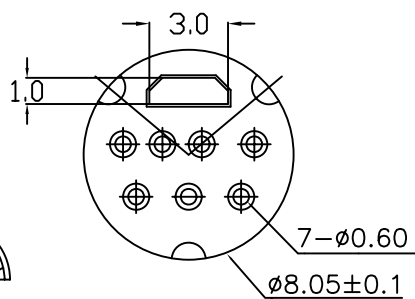
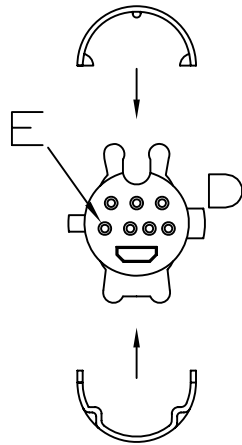


TABLE A



	7.0φ BACK SHELL
	6.0φ BACK SHELL
⊗	5.0φ BACK SHELL (STANDARD)
	COVER DIM.

TABLE A



材質 MATERIAL:

- A. 外套管 COVER: PE+2L
- B. 中套管 SHELL: ABS
- C. 銅殼 METAL SHIELD: 黃銅鍍鎳
BRASS NICKEL PLATED
- D. 膠芯 HOUSING: NYLON66+GF
- E. 針 CONTACT: 黃銅鍍銀
BRASS GOLD FLISH PLATED

SPECIFICATIONS:

1. RATING: 11V AC 1A MAX
OR 12V DC 2A MAX.
2. INSULATION RESISTANCE:
50M OHM MIN AT 500V DC.
3. DIELECTRIC STRENGTH:
500V AC / 1 MINUTE.

RoHS Compliant

TOLERANCES ARE



煜倫股份有限公司

www.morethanall.com

DRAWING BY CY

CHECKED BY GENIUS

UNIT / mm SCALE 1 : 1

DATE

SIZE A4

X, ±
.X ±
.XX ±
.XXX ±
ANG ±

P PROJECTION



ORDER INFORMATION

MDA-P-07B-LF
SERIES | LEADFREE
| B KEY
| 07 WAY
MALE

DESCRIPTION: