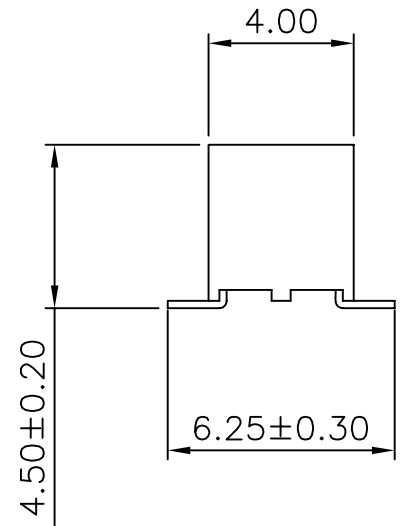
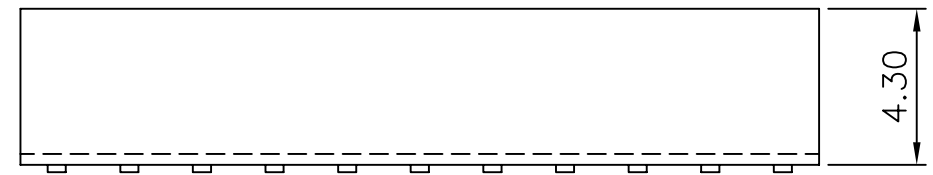
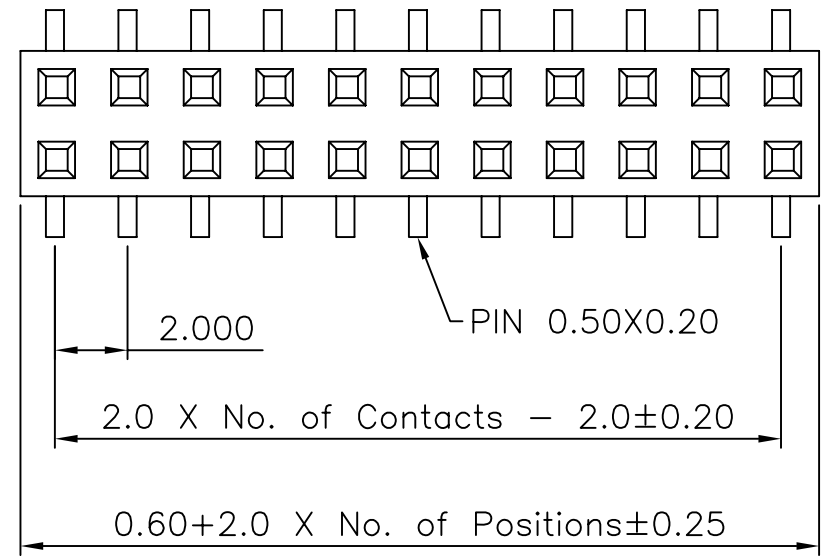
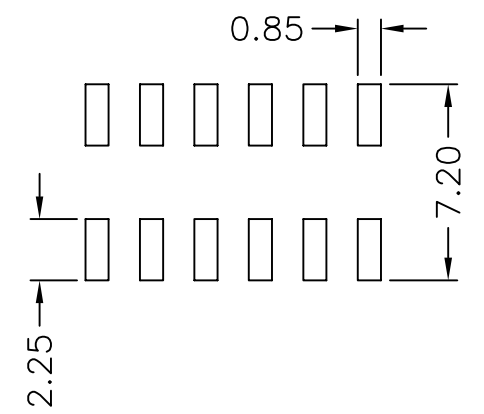


1 2 3 4 5 6 7 8 9 0

J
I
H
G
F
E
D
C
B
A



RECOMMENDED P.C.B LAYOUT



Specifications

Current Rating: 2Amp
 Insulation Resistance: 1000MΩ Min.
 Dielectric Withstanding: 500V AC/DC
 Contact Resistance: 20mΩ Max.
 Operating Temperature: -40°C to +105°C

Materials

Contact Material: Phosphor Bronze
 Insulation Material: Polyester, UL 94V-0
 NYLON-6T

S-V45X-2Xxx-LF
 LEADFREE

RoHS Compliant



PART NO. S-V45X-2Xxx		CHECKED BY CY		TOLERANCES ARE		DESCRIP TION: 2.00 FEMALE HEADER DUAL ROWS SMT TYPE BASE 4.3H			
DWG NO. S-V45X-2Xxx		DRAWING BY		.X ±0.38 .XX ±0.25 .XXX ±0.13 AWG		AREA REVISIONS HK DATE			
FILE NO.		PROJECTION							
UNIT / mm	SCALE 1:1								

煜倫股份有限公司