

SEE TABLE B:

4	CONTACT	2	SEE NOTE 3.3, 4.2
3	CONTACT	2	SEE NOTE 3.3, 4.2
2	HOUSING	1	GLASS FILLED, 130°C, UL 94V-0 RATED
1	SHELL	1	SEE NOTE 3.1, 4.1
ITEM	NAME	Q'TY	MATERIAL / FINISH

**MORETHANALL**  
CONNECTORS  
ASSEMBLIES

煜倫股份有限公司

PART NO. USB-SRNBK-4B

DWG NO. USB-SRNBK-4B

FILE NO.

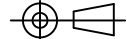
UNIT / mm

CHECKED BY CY

DRAWING BY

SCALE 1:1

PROJECTION



TOLERANCES ARE

- .X ±
- .XX ±
- .XXX ±
- AWG

DESCRIPTION:

USB CONNECTOR, SERIES B, WITH SCREW  
4 POSITIONS, R/A, THUR-HOLE

AREA

REVISIONS

HK

DATE

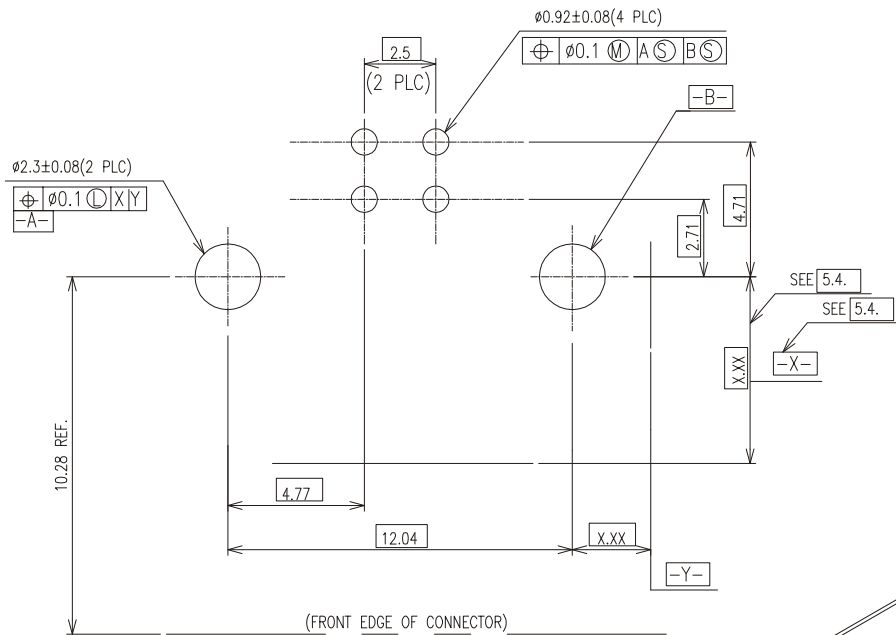
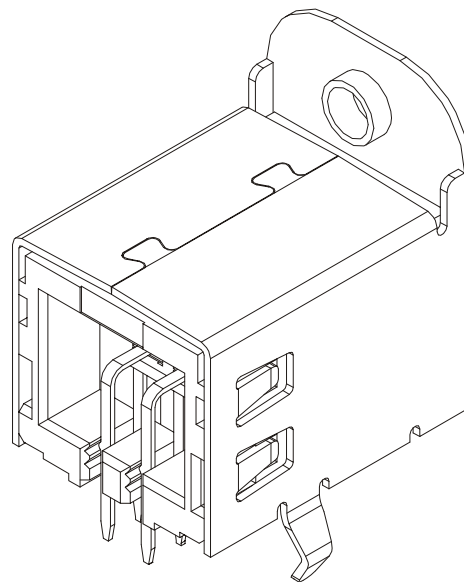


FIGURE A: PCB FOOTPRINT FOR RECEPTACLE (THROUGH-HOLE)

TABLE A: PRODUCT NUMBERING CODE:



NOTES :

- 1.0. RATING :
- 1.1. VOTAGE : 30 VAC (R.M.S.)
- 1.2. CURRENT : 1.5 AMPERE MINIMUM PER CONTACT AT 30°C T-RISE
- 1.3. TEMPERATURE : -20°C TO +65°C(REF. TO CSP-UAC10-00-00)
- 2.0. ELECTRICAL CHARACTERISTIC :
- 2.1. CONTACT RESISTANCE : 30 MILLIOHMS MAXIMUM INITIAL
- 2.2. INSULATION RESISTANCE : 1,000 MEGOHMS MINIMUM
- 2.3. DIELECTIC WITHSTANDING VOLTAGE : 500 VAC AT SEA LEVEL
- 2.4. CAPACITANCE : 2 PICOFARADS MAXIMUM AT 1KHZ
- 3.0. MATERIALS :
- 3.1. SHELL : COPPER ALLOY
- 3.2. HOUSING : THERMOPLASTIC, GLASS FILLED, 130°C, UL 94V-0 RATED
- 3.3 CONTACT : COPPER ALLOY
- 4.0. FINISHES :
- 4.1. SHELL : NICKEL+TIN W/O LOGO
- 4.2. CONTACT : SELECTIVE GOLD PLATING (REFER TO "TABLE A" )
- 5.0. OTHERS :
- 5.1. RECOMMENDED PC BOARD THICKNESS OF 1.57mm
- 5.2. THIS ALLOW FOR A PANEL THICKNESS OF 2.67mm MAXIMUM, IF THE RECEPTACLE CONNECTOR IS MOUNTED BEHIND A PANEL.
- 5.3. RECOMMENDED PC BOARD MOUNTING DIMMENSION : REFER FIGURE A
- 5.4 DATUM AND BASIC DIMMENSIONS ESTABLISHED BY CUSTOMER.
- 5.5 PRODUCT NUMBER CROSS REFERENCE :REFER TO TABLE A
- 5.6 TORQUE : 3Kg-Cm(Min.)

**USB-SRNBK-4B-LF**  
LEADFREE  
**RoHS Compliant**

	PART NO. USB-SRNBK-4B		TOLERANCES ARE .X ± .XX ± .XXX ± AWG	DESCRIPTION: USB CONNECTOR, SERIES B, WITH SCREW 4 POSITIONS, R/A, THUR-HOLE
	DWG NO. USB-SRNBK-4B			
焯倫股份有限公司	FILE NO.		DRAWING BY	AREA      REVISIONS      HK      DATE
	UNIT / mm	SCALE 1:1	PROJECTION	