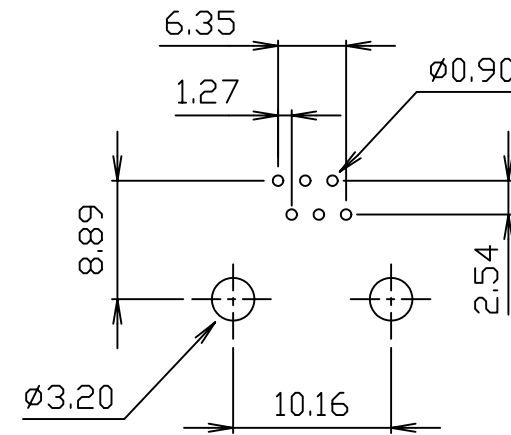
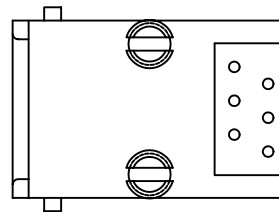
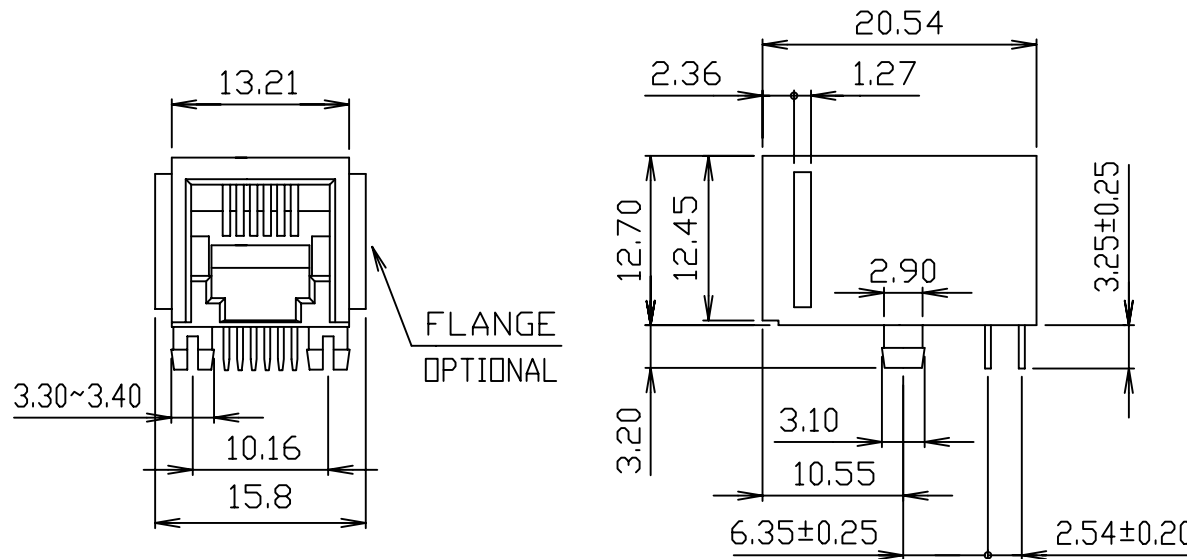


MATERIALS:

- HOUSING-PBT POLYESTER UL94V-0
MIXED GLASS FIBER,
STANDARD COLOR-BLACK
- CONTACTS-0.45mm DIA. ROUND PHOS-BRONZE
PLATED WITH HARD GOLD.

CAVITY CONFIRMS TO FCC RULES AND REGULATIONS
PART 68,SUBPART F.



PC Board Layout

MORETHANALL
CONNECTORS
ASSEMBLIES

PART NO. MJ12L-KE06-0606

DWG NO. MJ12L-KE06-0606

APPROVED BY CY

FILE NO. 9636-661X-B

DRAWING BY

TOLERANCES ARE

.X ± 0.25
.XX ± 0.13
.XXX ± 0.05
AWG

DESCRIPTION:

6 POSITION
SIDE ENTRY PCB JACK

焯倫有限公司

UNIT / mm

SCALE 1:1

PROJECTION



AREA

REVISIONS

HK

DATE