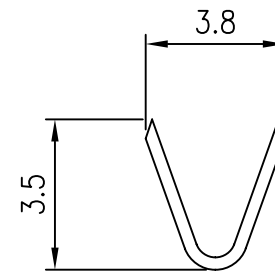
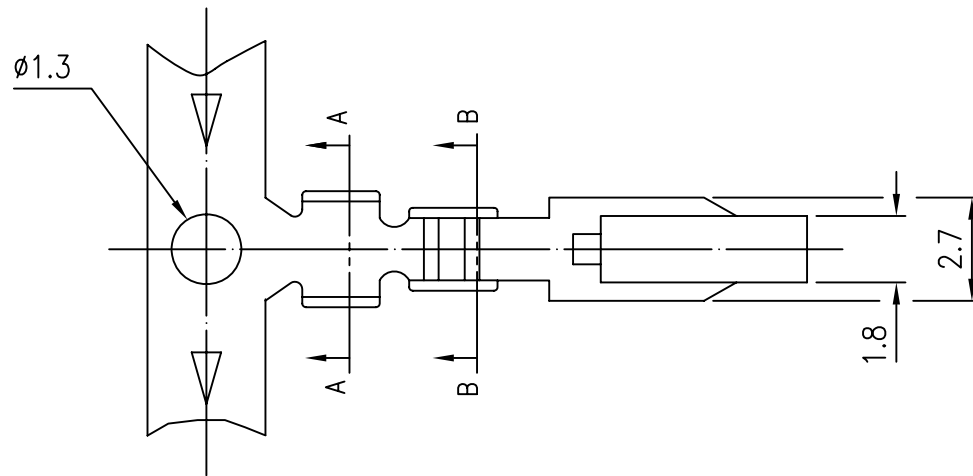


■ **TERMINAL**

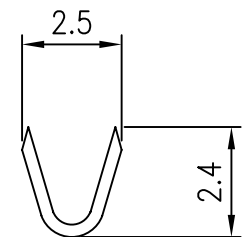
- Part No: KK-T-18
- Material: Brass
- Thickness: 0.25mm
- Plating: Tin plated 60u"
- Wire Range: Suitable for AWG#18~26
- Insulation O.D: 2.5mm (max)
- Q'TY: 6,000 pcs/roll

LK-T-18-LF  
T  
 LEADFREE

RoHS Compliant



A-A SECTION



B-B SECTION

**MORETHANALL**  
 CONNECTORS  
 ASSEMBLIES

PART NO. LK-T-18

DWG NO. LK-T-18

FILE NO.

APPROVED BY CY

DRAWING BY

TOLERANCES ARE

.X  
 .XX  
 .XXX  
 AWG

DESCRIPTION:

3.96mm Pitch Terminal

煜倫股份有限公司

UNIT / mm

SCALE 1:1

PROJECTION



AREA

REVISIONS

HK

DATE