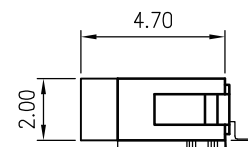
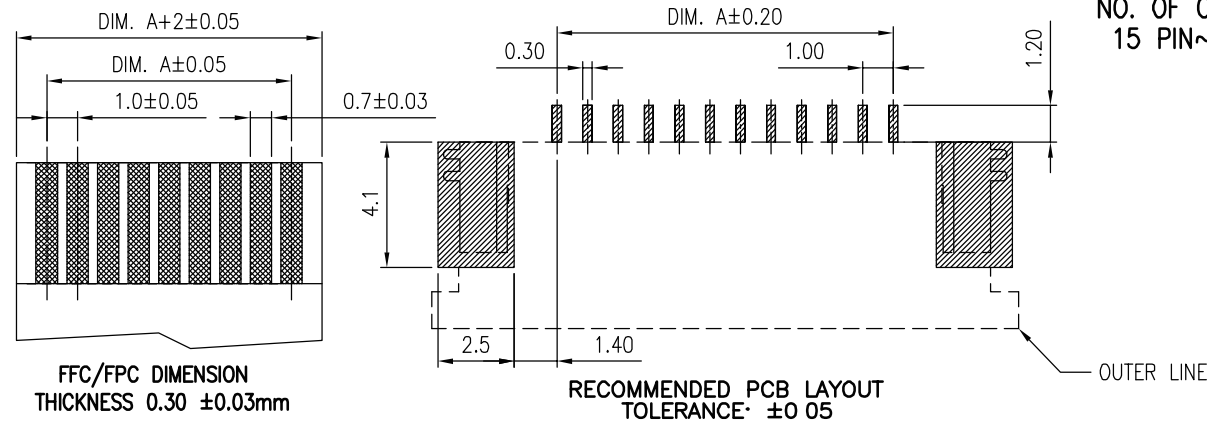


NO. OF CONTACTS  
4 PIN~14 PIN



NO. OF CONTACTS  
15 PIN~30 PIN

0.10  
ALL SOLDER TAIL  
& HOLDDOWN



■ MATERIAL

HOUSING: HIGH-TEMP 94V-0, COLOR: NATURAL.  
ACTUATOR: HIGH-TEMP 94V-0, COLOR: BLACK.  
CONTACT: COPPER ALLOY.  
PLATING: ALL TIN, LEAD FREE OR ALL GOLD  
HOLDDOWN: COPPER ALLOY. PLATING: ALL TIN, LEAD FREE.

■ SPECIFICATION

PRODUCT SPECIFICATION: PS-FPC-01  
PACKAGING SPECIFICATION: REEL: FZ1204002  
TUBE: FZ1204007

■ DIMENSION TABLE

Circuits	Dimension				
	A	B	C	D	E
4	3.00	5.10	9.10	11.20	10.40
5	4.00	6.10	10.10	12.20	11.40
6	5.00	7.10	11.10	13.20	12.40
7	6.00	8.10	12.10	14.20	13.40
8	7.00	9.10	13.10	15.20	14.40
9	8.00	10.10	14.10	16.20	15.40
10	9.00	11.10	15.10	17.20	16.40
11	10.00	12.10	16.10	18.20	17.40
12	11.00	13.10	17.10	19.20	18.40
13	12.00	14.10	18.10	20.20	19.40
14	13.00	15.10	19.10	21.20	20.40
15	14.00	16.10	20.10	22.20	21.40
16	15.00	17.10	21.10	23.20	22.40
17	16.00	18.10	22.10	24.20	23.40
18	17.00	19.10	23.10	25.20	24.40
19	18.00	20.10	24.10	26.20	25.40
20	19.00	21.10	25.10	27.20	26.40
21	20.00	22.10	26.10	28.20	27.40
22	21.00	23.10	27.10	29.20	28.40
23	22.00	24.10	28.10	30.20	29.40
24	23.00	25.10	29.10	31.20	30.40
25	24.00	26.10	30.10	32.20	31.40
26	25.00	27.10	31.10	33.20	32.40
27	26.00	28.10	32.10	34.20	33.40
28	27.00	29.10	33.10	35.20	34.40
29	28.00	30.10	34.10	36.20	35.40
30	29.00	31.10	35.10	37.20	36.40

RoHS Compliant

TOLERANCES ARE

**MORETHANALL**  
PCB CONNECTORS  
Cable ASSEMBLIES

DRAWING BY CY

CHECKED BY GENIUS

UNIT/ mm

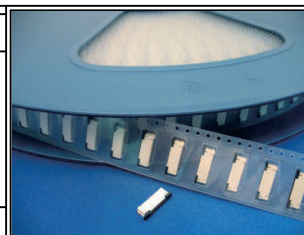
SCALE 1:1

DATE

SIZE A4

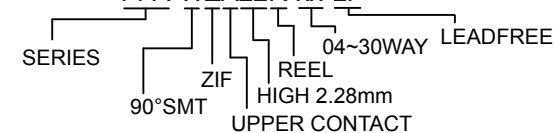
P PROJECTION

X, ±  
.X ±  
.XX ±  
.XXX ±  
ANG ±



ORDER INFORMATION

FPA-WZA22R-xx-LF



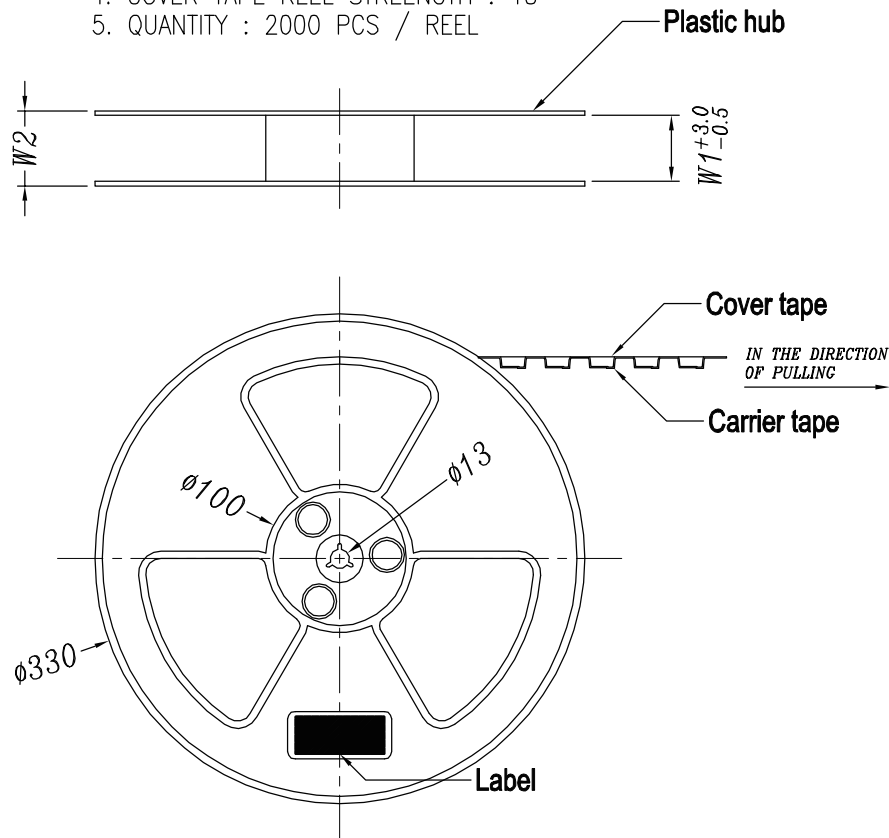
DESCRIPTION:

煜倫股份有限公司

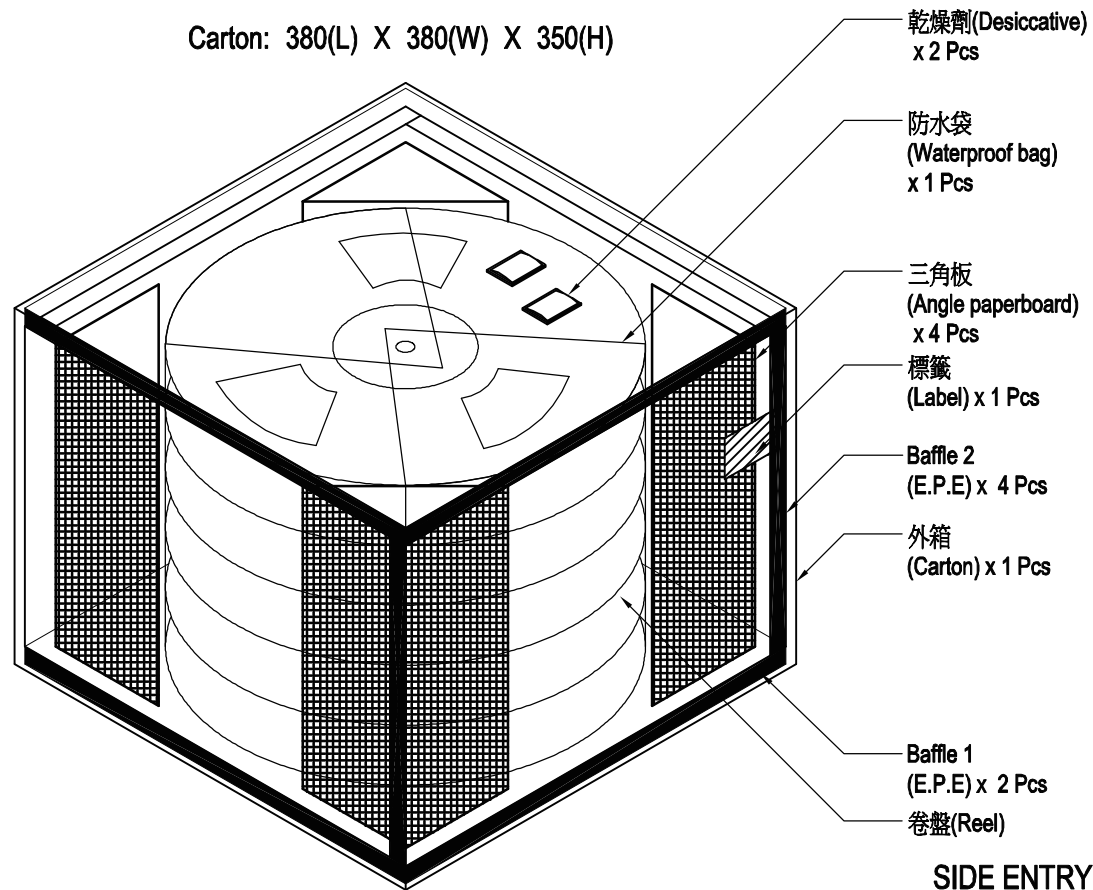
www.morethanall.com

**NOTE**

1. REEL MATERIAL : PS
2. CARRIER MATERIAL : PS
3. COVER TAPE MATERIAL : PS
4. COVER TAPE REEL STRENGTHH : 13"
5. QUANTITY : 2000 PCS / REEL



Carton: 380(L) X 380(W) X 350(H)



NO. OF CONTACTS	DIMENSION				PACKING	
	F	W1	W2	W3	REEL/CARTON	QUANTITY(PCS)
4~9	11.5	24.5	30.5	24.0	10	20000
10~13	28.4	32.5	38.5	32.0	8	16000
14~25	40.4	44.5	50.5	44.0	6	12000
26~30	52.6	56.5	62.5	56.0	5	10000

**RoHS Compliant**

TOLERANCES ARE

**MORETHANALL**  
PCB CONNECTORS  
Cable ASSEMBLIES

煜倫股份有限公司

www.morethanall.com

DRAWING BY CY

CHECKED BY GENIUS

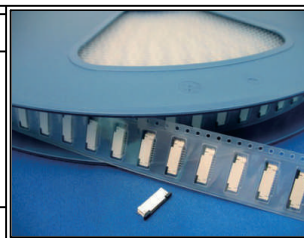
UNIT/ mm SCALE 1:1

DATE

SIZE A4

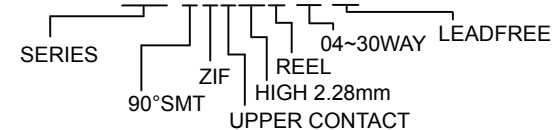
X, ±  
.X ±  
.XX ±  
.XXX ±  
ANG ±

P PROJECTION

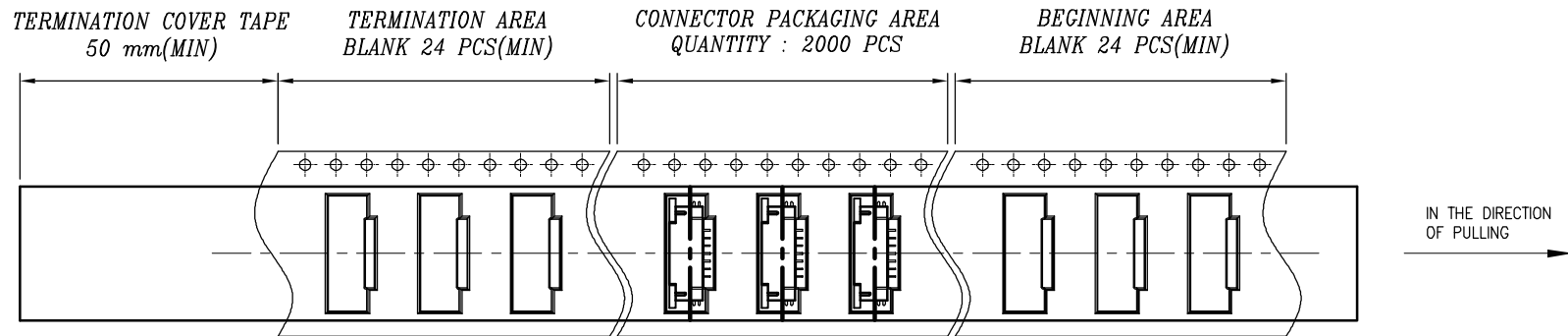
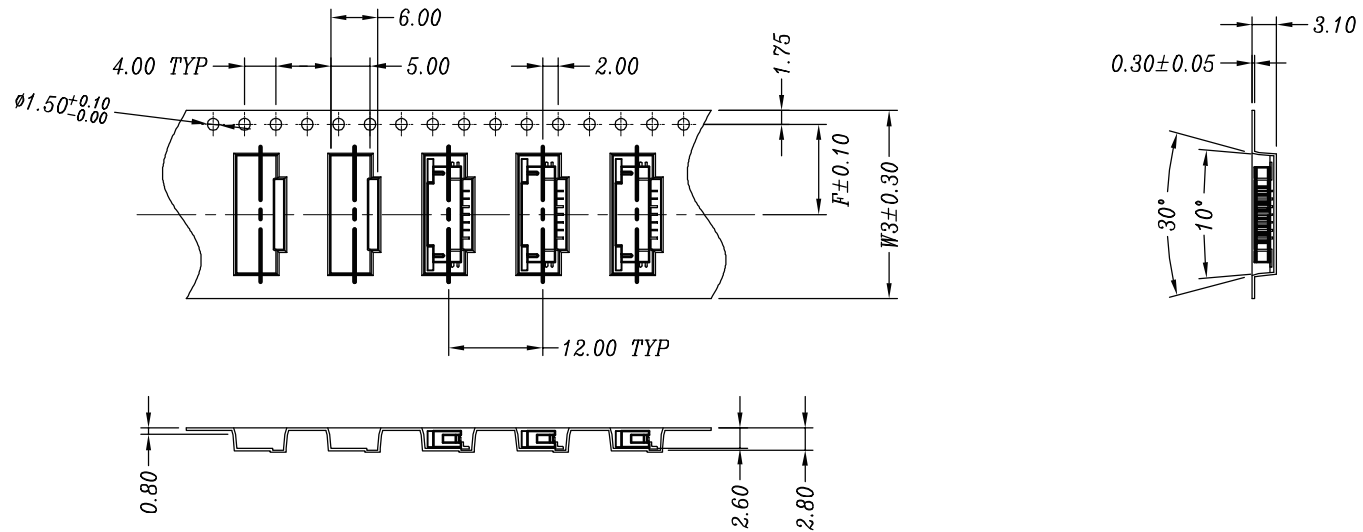


**ORDER INFORMATION**

FPA-WZA22R-xx-LF



DESCRIPTION:



WIDTH : 24 mm Carrier

**RoHS Compliant**

TOLERANCES ARE

**MORETHANALL**  
PCB CONNECTORS  
Cable ASSEMBLIES

DRAWING BY CY

CHECKED BY GENIUS

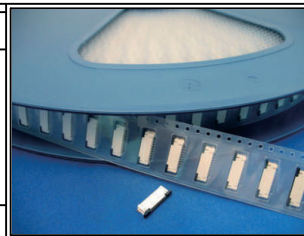
UNIT/ mm SCALE 1:1

DATE

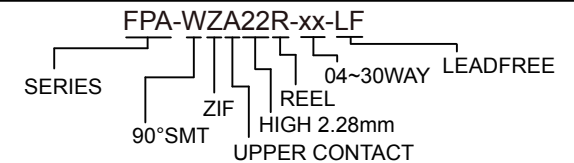
SIZE A4

X, ±  
.X ±  
.XX ±  
.XXX ±  
ANG ±

P PROJECTION



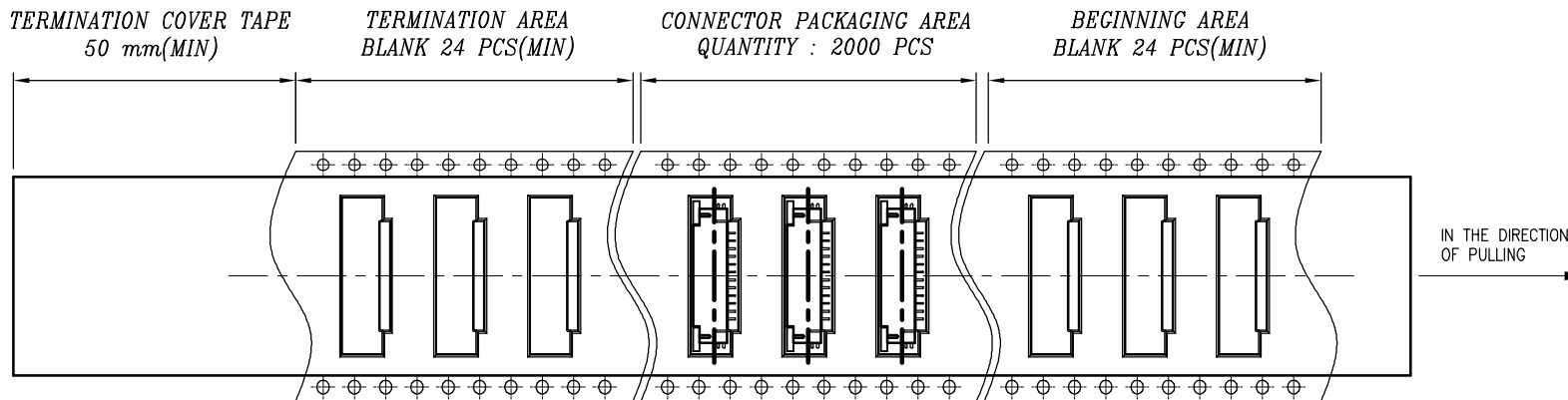
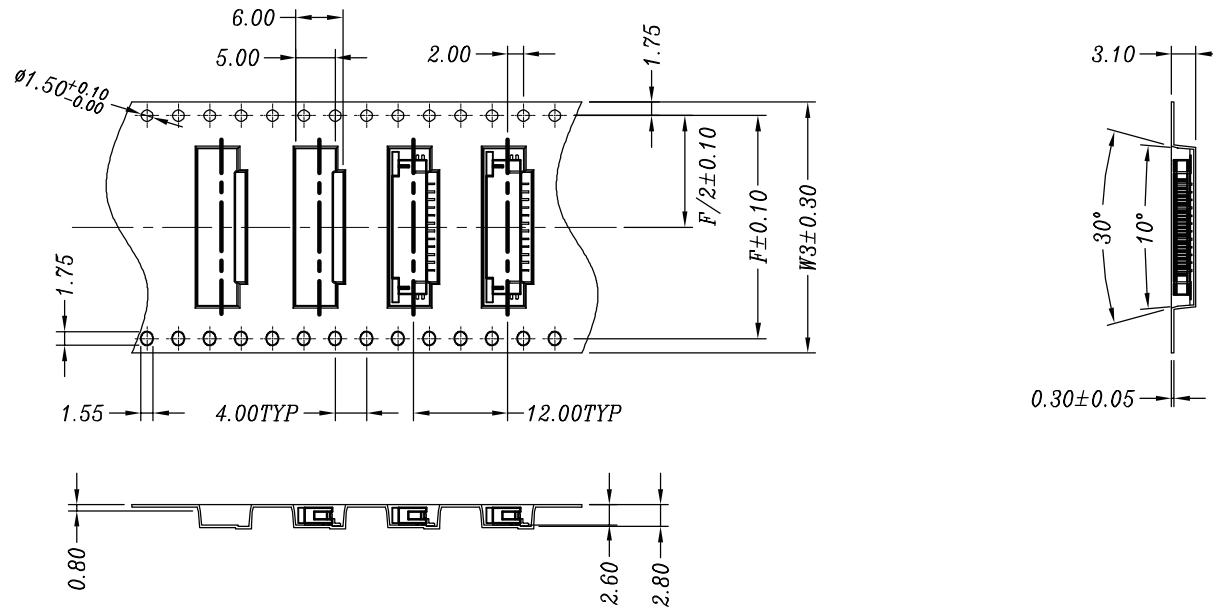
**ORDER INFORMATION**



煜倫股份有限公司

www.morethanall.com

DESCRIPTION:



WIDTH : 32 , 44 , 56 Carrier

**MORETHANALL**  
PCB CONNECTORS  
Cable ASSEMBLIES

煜倫股份有限公司

www.morethanall.com

RoHS Compliant

DRAWING BY CY

CHECKED BY GENIUS

UNIT/ mm

SCALE 1 : 1

DATE

SIZE A4

P PROJECTION

TOLERANCES ARE

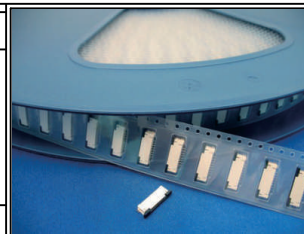
X. ±

.X ±

.XX ±

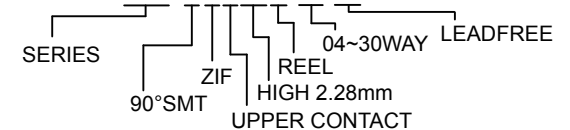
.XXX ±

ANG ±



ORDER INFORMATION

FPA-WZA22R-xx-LF



DESCRIPTION: