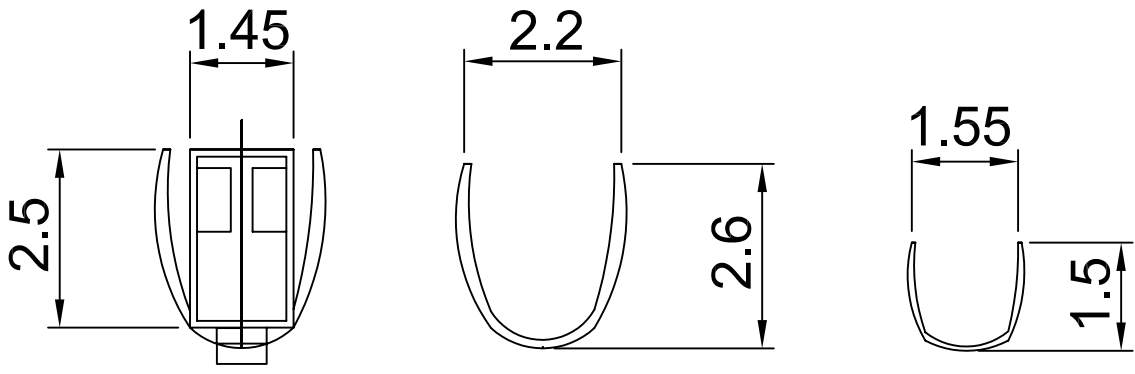


SPECIFICATION
 CURRENT RATING: 3A AC,DC
 VOLTAGE RATING: 250V AC,DC
 TEMPERATURE RANGE: -25°C TO +85°C
 (INCLUDING TEMPERATURE RISE)
 CONTACT RESISTANCE: INITIAL VALUE/10M OHM MAX.
 AFTER ENVIRONMENTAL TESTING/20M OHM MAX.
 INSULATION RESISTANCE: 1,000M OHM MIN.
 WITHSTANDING VOLTAGE: 1,000V AC/MINUTE
 CONTACT: PHOSPHOR BRONZE, TIN-PLATED
 POST: COPPER-UNDERCOATED, TIN/LEAD PLATED
 APPLICABLE WIRE: AWG #28 TO #22



| | | | | | | | | | | |
|---|----------|--|------------------|-----------|--|---------------|-----------|----|------|----------------|
| B | | | PART NO. RM-T-22 | | TOLERANCES ARE X. XX. XXX. AWG | DESCRIP TION: | | | | |
| | | | DWG NO. RM-T-22 | | | | | | | APPROVED BY CY |
| A | 煜倫股份有限公司 | | FILE NO. | | DRAWING BY | AREA | REVISIONS | HK | DATE | |
| | | | UNIT / mm | SCALE 1:1 | PROJECTION | | | | | |