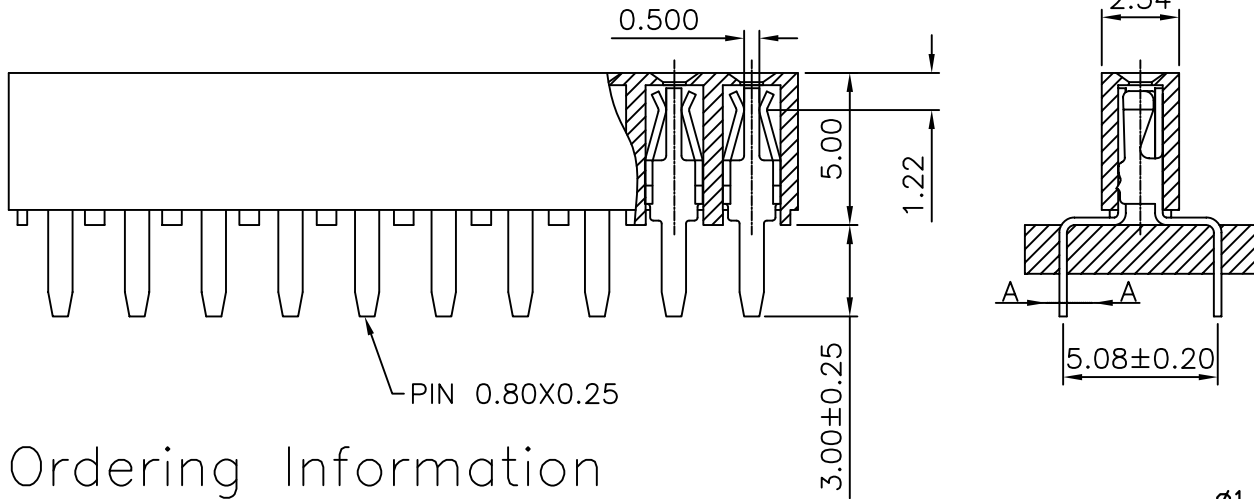


Specifications

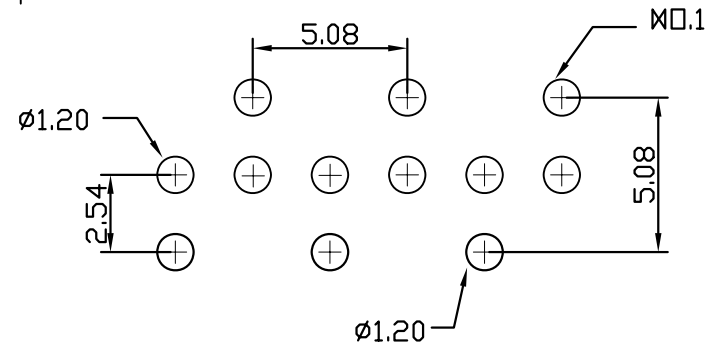
Current Rating: 3.0Amp
 Insulation Resistance: 1000MΩ Min.
 Dielectric Withstanding: 600V AC
 Contact Resistance: 20mΩ Max.
 Operating Temperature: -40°C to +105°C

Materials

Contact Material: Phosphor Bronze
 Insulator Material: Polyester UL94V-0
 PBT



Recommended P.C.Board Hole Layout



Ordering Information

F-B50-1XxxL-LF
 LEADFREE

RoHS Compliant



PART NO. F-B50-1XxxL	CHECKED BY CY	TOLERANCES ARE .X ± 0.2 .XX ± .XXX ± AWG	DESCRIPTION: 2.54 FEMALE HEADER SINGLE ROW DIP TYPE BASE 5.00H					
							DWG NO. F-B50-1XxxL	DRAWING BY
FILE NO.	DRAWING BY	PROJECTION	UNIT / mm	SCALE 1:1				

煜倫股份有限公司