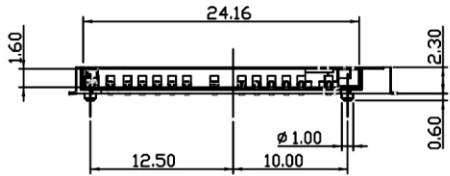
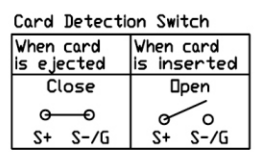


Recommet PC Board Layout

**RSMMC-W22-13-LF**  
**LEADFREE**



PART NAME	ITEM	MATERIAL
BODY	1	Liquid crystal polymer
SLIDER	2	Polyamide
CONTACT	3	Phosphor Bronze
SHELL	4	Stainless
DRAG LINK	5	Stainless
SPRING	6	PIAND WIRE



PIN NUMBER	C9	C1	C10	C2	C11	C3	C4	C5	C12	C6	C13	C7	C8
PIN ASSIGNMENT	DAT2	DAT3	DAT4	CMD	DAT5	VSS	VDD	CLK	DAT6	VSS2	DAT7	DAT0	DAT1

**RoHS Compliant**



PART NO. **RSMMC-W22-13**

DWG NO. **RSMMC-W22-13**

FILE NO.

CHECKED BY CY

DRAWING BY

TOLERANCES ARE

.X ± 0.2

.XX ±  
.XXX ±  
AWG

DESCRIP TION:

煜倫股份有限公司

UNIT / mm

SCALE 1:1

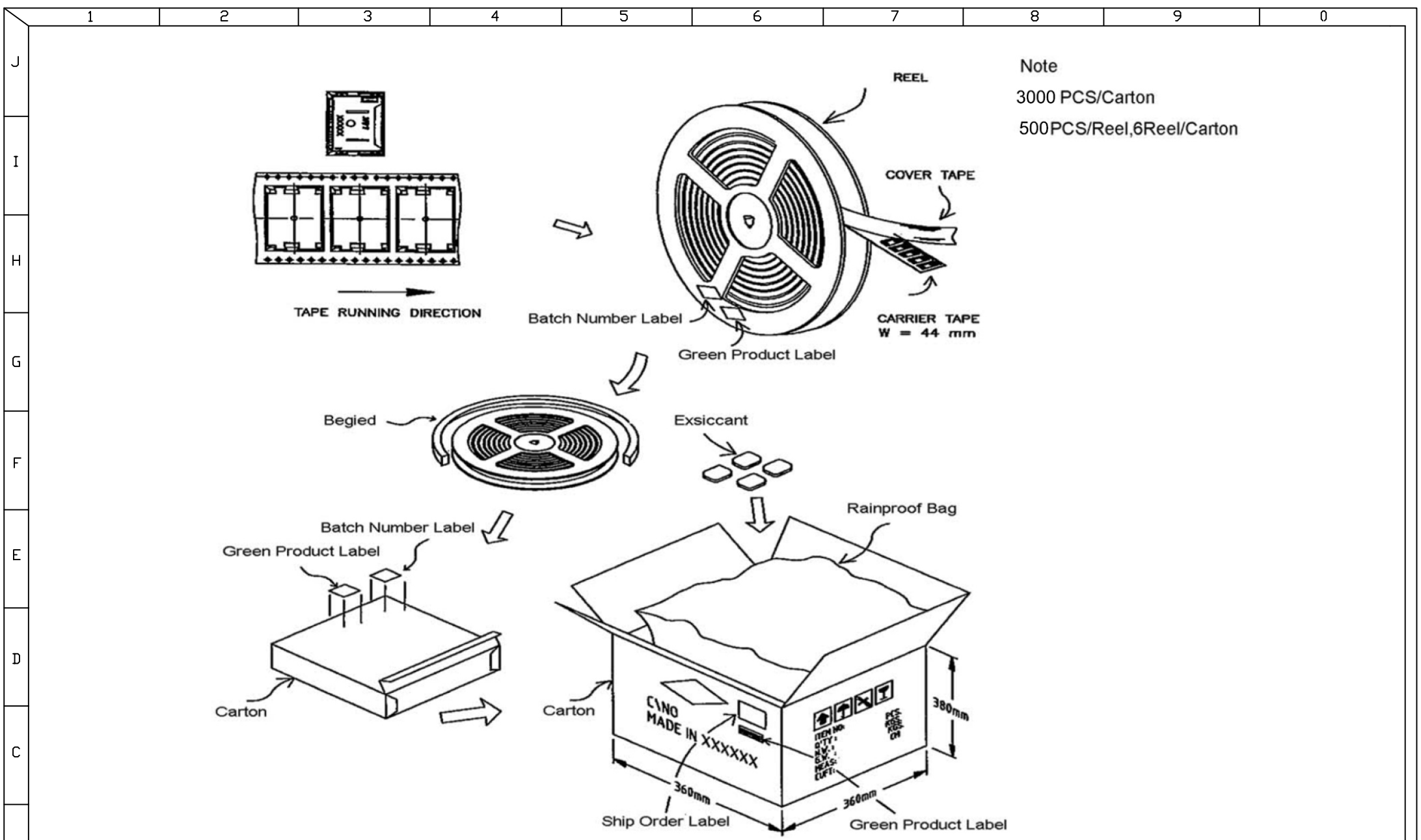
PROJECTION

AREA

REVISIONS

HK

DATE



Note  
 3000 PCS/Carton  
 500PCS/Reel,6Reel/Carton

B			PART NO. <b>RSMMC-W22-13</b>		TOLERANCES ARE .X ± 0.2 .XX ± .XXX ± AWG	DESCRIP TION:			
			DWG NO. <b>RSMMC-W22-13</b>						
A			FILE NO.		DRAWING BY	AREA	REVISIONS	HK	DATE
			UNIT / mm	SCALE 1:1	PROJECTION				