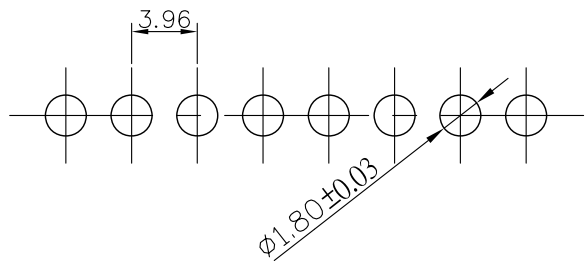
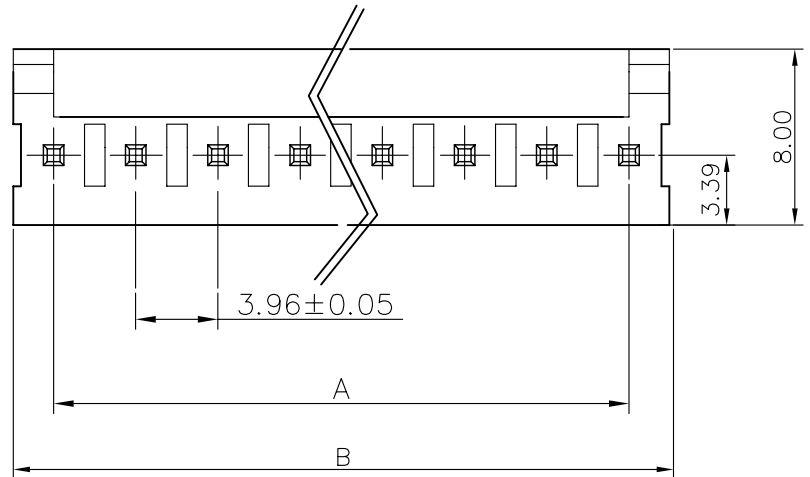


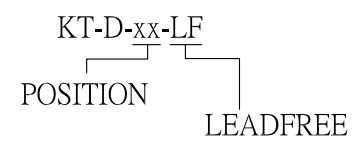
1 2 3 4 5 6 7 8 9 0

J
I
H
G
F
E
D
C
B
A

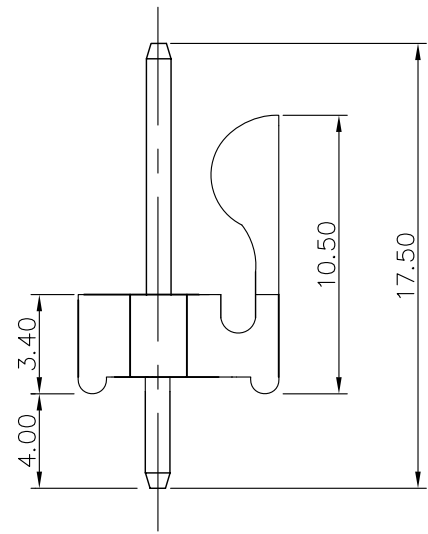
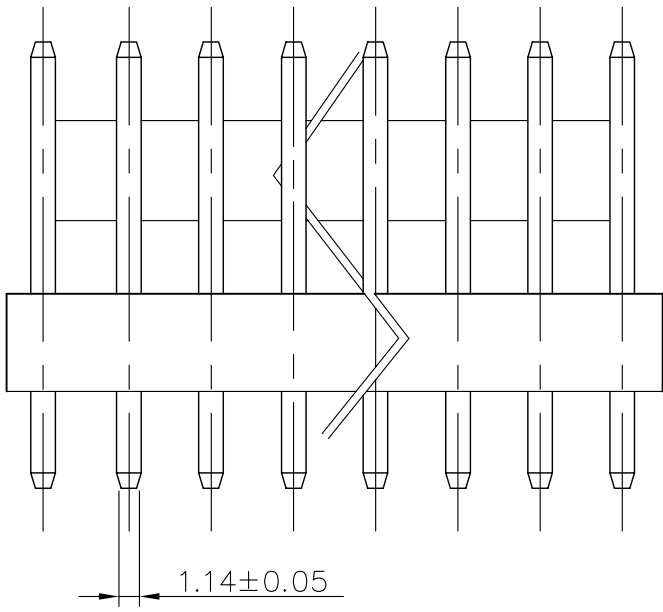


Specifications

Material: Nylon 66, UL94V-2 White Color
 Contact: Copper alloy, 1.14 mm square pin, Tin-plated or gold-flash
 Current Rating: 4A AC/DC
 Voltage Rating: 250 AC/DC
 2-24 circuits available



RoHS Compliant



Poles	Dimension mm		Poles	Dimension mm	
	A	B		A	B
2	3.96	7.92	14	51.48	55.44
3	7.92	11.88	15	55.44	59.40
4	11.88	15.84	16	59.40	63.36
5	15.84	19.80	17	63.36	67.32
6	19.80	23.76	18	67.32	71.28
7	23.76	27.72	19	71.28	75.24
8	27.72	31.68	20	75.24	79.20
9	31.68	35.64	21	79.20	83.16
10	35.64	39.60	22	83.16	87.12
11	39.60	43.56	23	87.12	91.08
12	43.56	47.52	24	91.08	95.04
13	47.52	51.48			



PART NO. KT-D-xx

DWG NO. KT-D-xx

FILE NO.

UNIT / mm

SCALE 1:1

APPROVED BY CY

DRAWING BY

PROJECTION

TOLERANCES ARE

X
.XX
.XXX
AWG

DESCRIP TION:
AREA

3.96mm Wire-to-Board Header
 DIP 180° Type
 REVISIONS
 HK
 DATE

焜倫股份有限公司