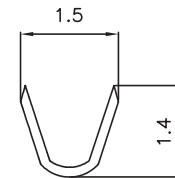
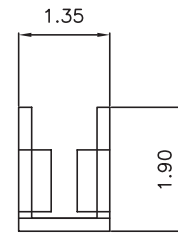
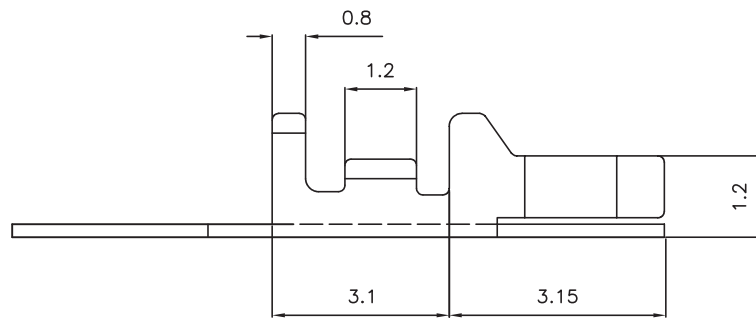
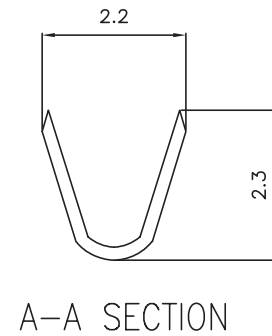
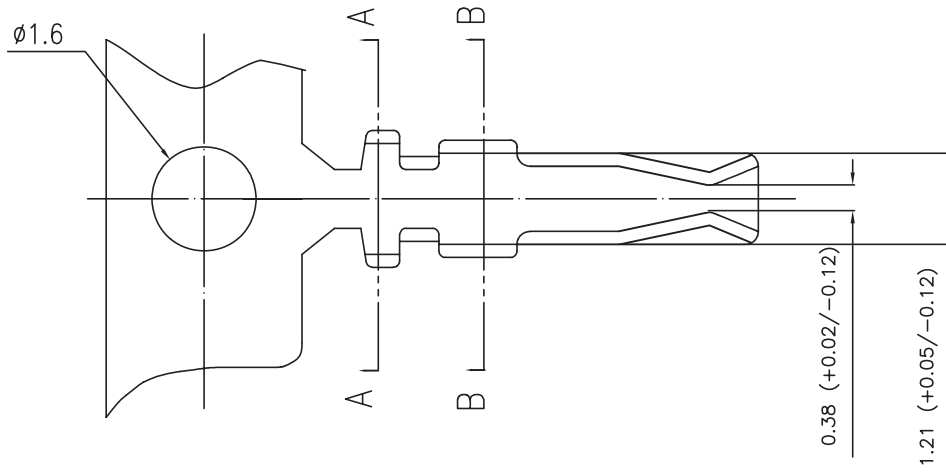


DF11-T-26-LF  
LEADFREE  
RoHS Compliant

■ TERMINAL

Material: Phos. bronze  
Thickness: 0.2mm  
Plating: Tin Plated 60u"  
Wire Range: Suitable for AWG#26~30  
Insulation O.D: 1.40mm(max)  
Q'TY: 10,000 pcs/reel



PART NO. DF11-T-26

DWG NO. DF11-T-26

FILE NO.

CHECKED BY CY

DRAWING BY

TOLERANCES ARE

.X ± 0.2  
.XX ±  
.XXX ±  
AWG

DESCRIPTION:

煜倫股份有限公司

UNIT / mm

SCALE 1:1

PROJECTION

AREA

REVISIONS

HK

DATE