

RoHS Compliant

TOLERANCES ARE

MORETHANALL
PCB CONNECTORS
Cable ASSEMBLIES

DRAWING BY CY

X, ±
X ± 0.30
.XX ± 0.25
.XXX ± 0.20
ANG ± 2°

CHECKED BY GENIUS

UNIT / mm SCALE 1:1

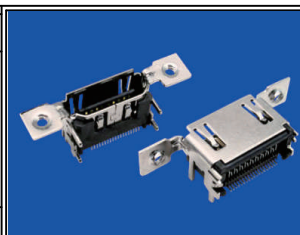
DATE

SIZE A4

P PROJECTION

煜倫股份有限公司

www.morethanall.com



ORDER INFORMATION

HDMI-SWMM20PE-19-LF

SERIES

FEMALE

LEADFREE

19WAY

PANEL+EAR

METAL FOOT/2.0mm

90° SMT

DESCRIPTION: HDMI RECEPTACLE SMT TYPE WITH WING LOW PROFILE

REMARKS:

1. MATERIAL:

1.1 HOUSING: HIGH TEMPERATURE THERMOPLASTIC

UL 94V-0 RATED

1.2 CONTACT: COPPER ALLOY

2. PLATING:

2.1 CONTACT:

GOLD PLATED OVER NICKEL ON CONTACT AREA

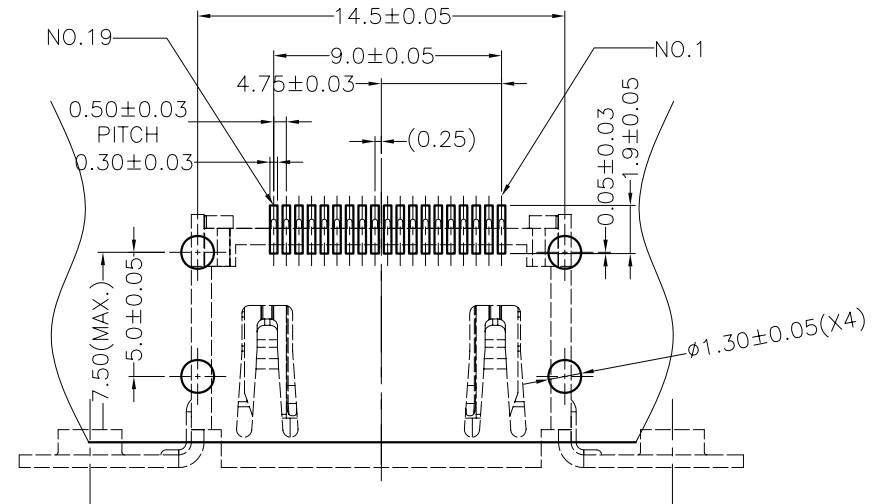
AND 100u" MIN. TIN PLATED OVER NICKEL

ON SOLDER TAILS

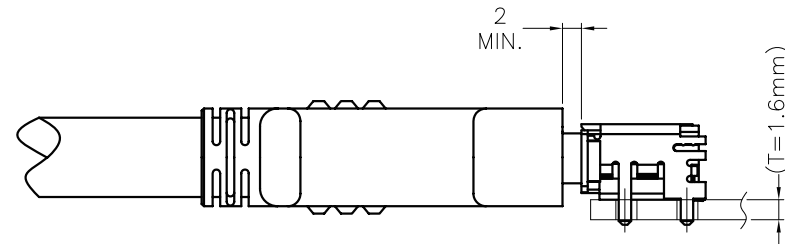
2.2 SHELL:

SOLDERABLE NICKEL PLATED

OR GOLD PLATED



RECOMMENDED PCB LAYOUT (THICKNESS=1.6±0.15mm)



REFERENCE MOUNT DIMENSION

MORETHANALL
PCB CONNECTORS
Cable ASSEMBLIES

煜倫股份有限公司

www.morethanall.com

RoHS Compliant

DRAWING BY CY

CHECKED BY GENIUS

UNIT/mm SCALE 1:1

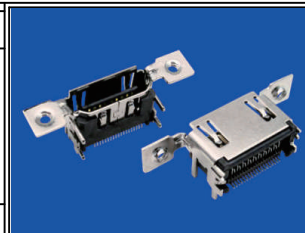
DATE

SIZE A4

TOLERANCES ARE

X. ±
.X ± 0.30
.XX ± 0.25
.XXX ± 0.20
ANG ± 2°

P PROJECTION



ORDER INFORMATION

HDMI-SWMM20PE-19-LF

SERIES

FEMALE

LEADFREE

19WAY

PANEL+EAR

METAL FOOT/2.0mm

90° SMT

DESCRIPTION: HDMI RECEPTACLE SMT TYPE WITH WING LOW PROFILE