

Technical Data:

Material:

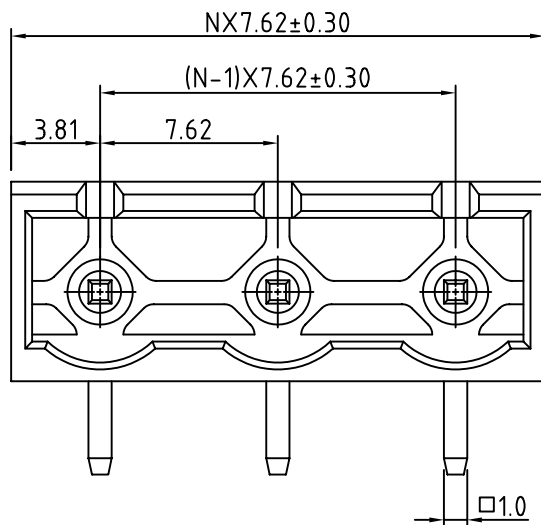
- Solder Pin: Brass with Tin plated
- Insulator body(housing): Polyamide(Glass filled)(UL94V-0)

Electrical

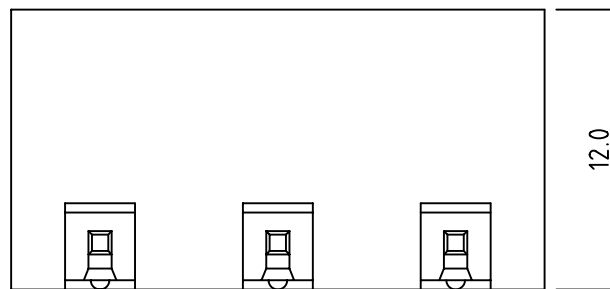
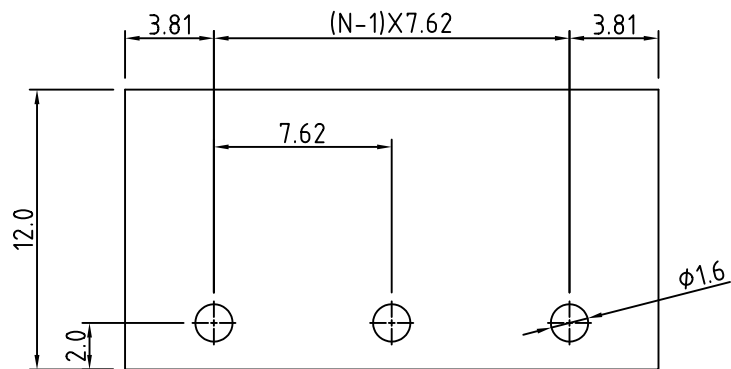
- Voltage rating: 300VAC
- Current rating: 10A
- Insulation resistance: 500M Ω at DC 500V
- Withstanding Voltage: AC 1500V(1min)

Mechanical:

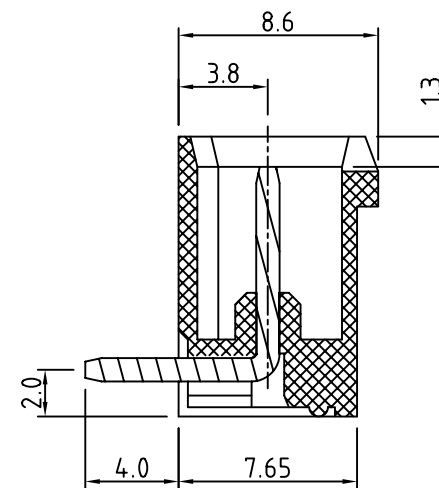
- Using temperature Range: -40°C to +105°C
- Soldering temperature:+250°,5seconds Max.



PCB. LAYOUT



N=Number of contacts



MORETHANALL
CONNECTORS
ASSEMBLIES

焯倫有限公司

PART NO. TBH076-PRB-xx

DWG NO. TBH076-PRB-xx

FILE NO.

UNIT / mm

SCALE 1:1

CHECKED BY CY

DRAWING BY

PROJECTION

TOLERANCES ARE

.X ± 0.3

.XX ± 0.10

.XXX ±

AWG

DESCRIPTION:

AREA

REVISIONS

HK

DATE