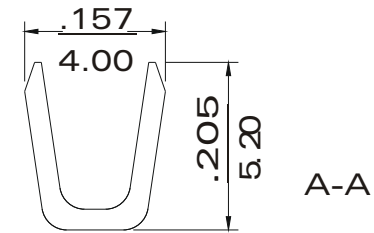
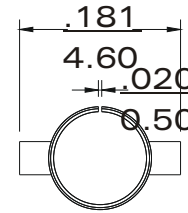
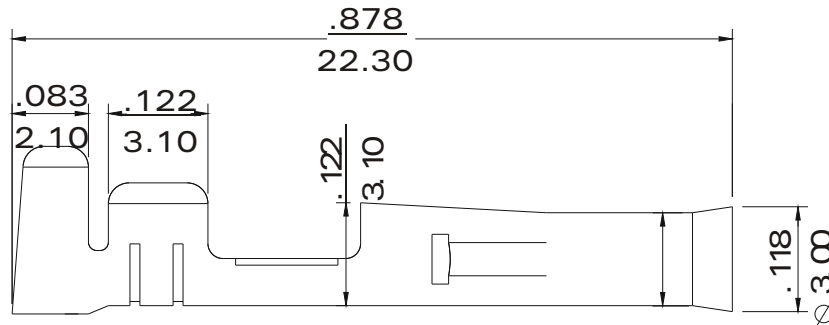
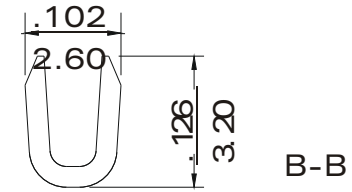
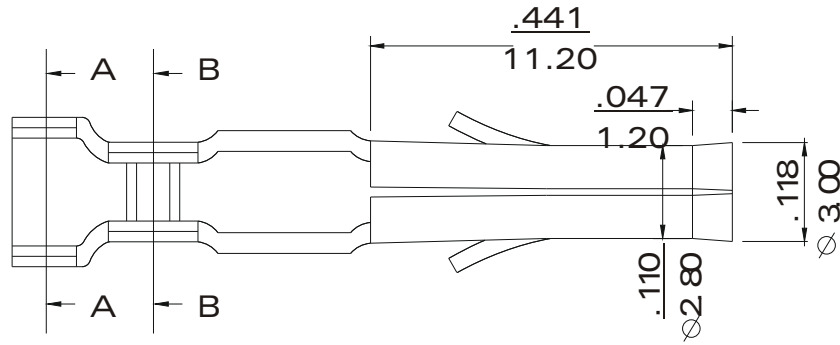


* Material : Brass



inch
mm

Part No.	Wire Range	Package
PW-F-14	AWG#14-#20	4000PCS/REEL
PW-F-20	AWG#20-#24	5000PCS/REEL

MORETHANALL
CONNECTORS
ASSEMBLIES

PART NO. **PW-F-xx**

DWG NO. **PW-F-xx**

FILE NO.

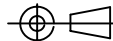
UNIT / mm

SCALE 1:1

CHECKED BY CY

DRAWING BY

PROJECTION



TOLERANCES ARE

.X ± 0.2
.XX ±
.XXX ±
AWG

DESCRIPTION:

AREA

REVISIONS

HK

DATE

煜倫股份有限公司