

RECOMMENDED P.C.B. LAYOUT

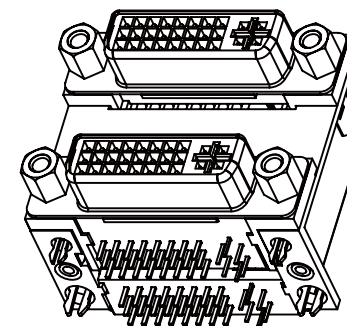
INSPECTION DIMENSION:(A)~(L)

SPECIFICATIONS

1. DVI
 - 1.1 Voltage: 40 VAC(RMS) Max.
 - 1.2 Current Rating: 1.5 Ampere per Contact
 - 1.3 Contact Resistance(UPPER): 30 Milliohms Max.
Contact Resistance(LOWER): 20 Milliohms Max.
 - 1.4 Insulation Resistance: 1000 Megohms Min.
 - 1.5 Dielectric Withstanding Voltage: 500 VAC(RMS)
 - 1.6 Total Mating Force: 4.5 Kgf Max.
 - 1.7 Total Unmating Force: 1.0 Kgf Min.
 - 1.8 Operating Temperature: -55°C to +85°C

NOTES

1. MATERIAL:
 - Housing(UPPER):PBT HALOGEN-FREE, Color:Black.
 - Housing(LOWER):PBT HALOGEN-FREE, Color:Black.
 - Terminal:Copper Alloy.
 - Shell:SPCC.
 - Shield:Stainless Steel.
 - Boardlock:Copper Alloy.
 - Bracket:Zinc Alloy.
 - Screw:Copper Alloy.
2. FINISH:
 - Terminal:Gold Plated over Nickel at Contact Area.
Tin Plated over Nickel at Solder Ared.
 - Shell:Nickel Plated.
 - Boardlock:Tin Plated.
 - Bracket:Nickel Plated.
 - Screw:Nickel Plated.
3. This Product is LEAD-FREE & RoHS Compliance Product.



RoHS Compliant

MORETHANALL
PCB CONNECTORS
Cable ASSEMBLIES

煜倫股份有限公司

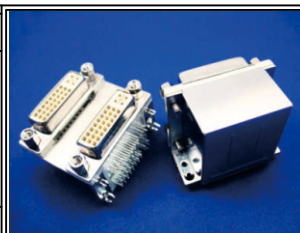
www.morethanall.com

DRAWING BY CY
CHECKED BY GENIUS
UNIT/ mm SCALE 1:1
DATE
SIZE A4

TOLERANCES ARE

X, ±
.X ±
.XX ±
.XXX ±
ANG ±

P PROJECTION



ORDER INFORMATION

DVIB1-FR20FNJ-24+5-LF
SERIES | | | | LEADFREE
24+5 PIN
FEMALE | | | | NUT+JACKSCRW
DIP90° FULL METAL
SPACING 20.4mm

DESCRIPTION: DVI-I / DVI-I FEMALE RIGHT ANGLE