

P/N	VOLT		"Y"		STAND-OFF	REMARK
	3.3V	5V	M2	Ø2.1	"Z"	
● PCCB1-PWL00V3RNS-68	✓		✓		0.0	
PCCB1-PWL22V3RNS-68	✓		✓		2.2	
PCCB1-PWL50V3RNS-68	✓		✓		5.0	
PCCB1-PWL55V3RNS-68	✓		✓		5.5	
	✓			✓	0.0	
	✓			✓	2.2	
	✓			✓	5.0	
	✓			✓	5.5	
PCCB1-PWL00V5RNS-68		✓	✓		0.0	
PCCB1-PWL22V5RNS-68		✓	✓		2.2	
PCCB1-PWL50V5RNS-68		✓	✓		5.0	
PCCB1-PWL55V5RNS-68		✓	✓		5.5	
		✓		✓	0.0	
		✓		✓	2.2	
		✓		✓	5.0	
		✓		✓	5.5	

- MATERIAL:
  - (A) HEADER : G.F. THERMOPLASTIC
  - HOUSING : G.F. THERMOPLASTIC UL94V-0, BLACK.
  - PIN : COPPER ALLOY
  - (B) EJECT MECHANISM : G.F. THERMOPLASTIC UL94V-0, BLACK.
  - GUIDE : G.F. THERMOPLASTIC UL94V-0, BLACK.
  - EJECT & PLATE : STEEL.
  - PUSH BUTTON : THERMOPLASTIC UL94V-0, BLACK.
- DIMENSION "X" :
  - X=5.00mm : PIN No.1,17,34,35,51,68
  - X=3.50mm : PIN No.36,67
  - X=4.25mm : OTHERS
- FINISH:
  - PIN : ALL Ni UNDER PLATING
  - GOLD PLATING ON FRONT CONTACT AREA.
- GENERAL TOLERANCE : ±0.3
- LAYOUT DWG. No.:P-ADB-232



PART NO. PCCB1-PWLxxVxRNS-68

DWG NO. PCCB1-PWLxxVxRNS-68

CHECKED BY CY

TOLERANCES ARE

FILE NO.

DRAWING BY

.X ± 0.2  
.XX ±  
.XXX ±  
AWG

DESCRIPTION:

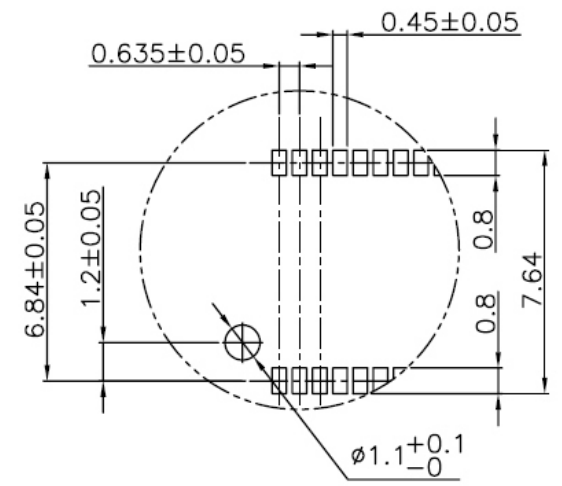
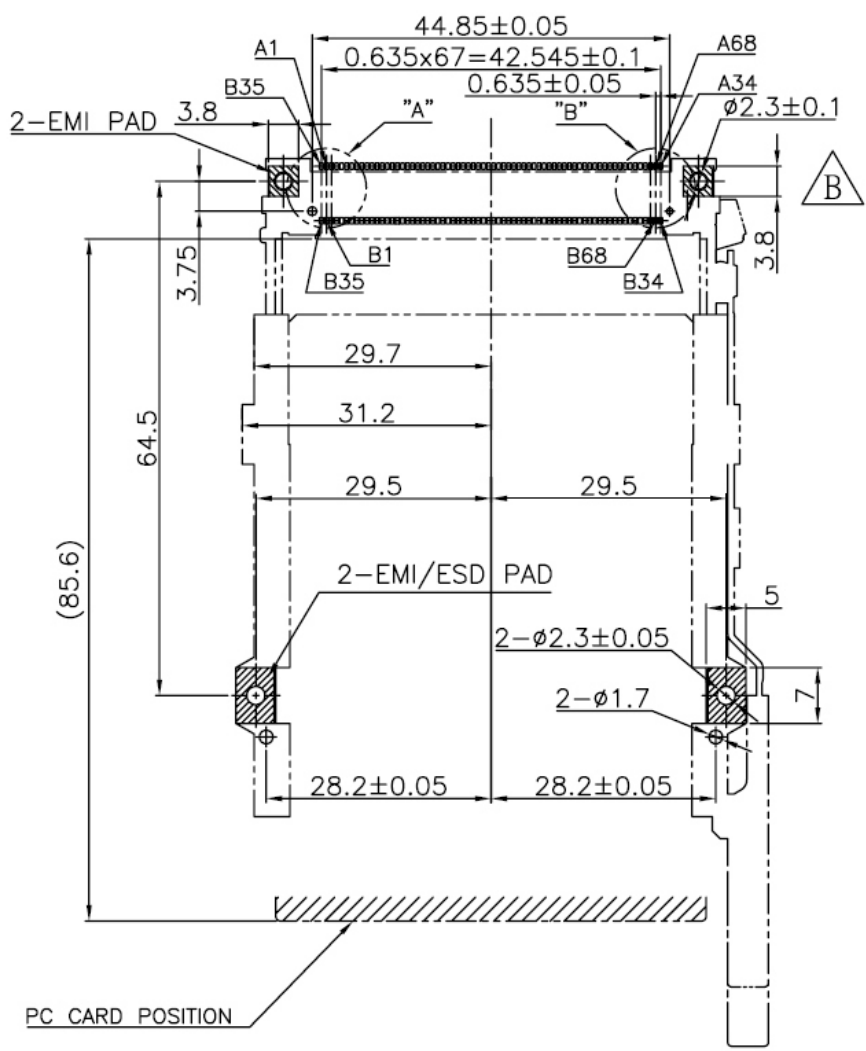
煜倫股份有限公司

UNIT / mm

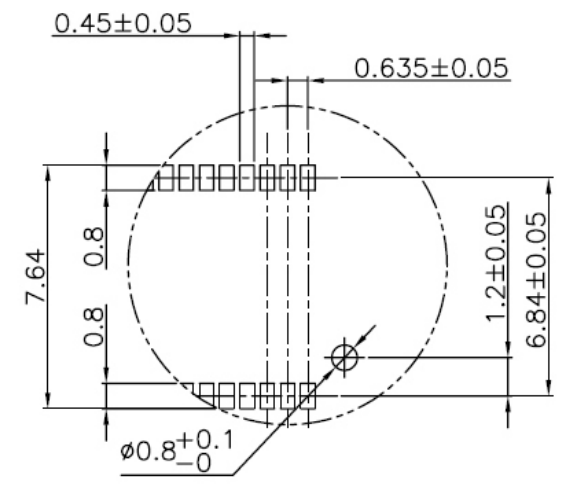
SCALE 1:1

PROJECTION

AREA	REVISIONS	HK	DATE



DETAIL "A"  
4 : 1



DETAIL "B"  
4 : 1

RECOMMENDED PCB LAYOUT  
(1) STAND OFF 0.0mm ONLY

PC CARD POSITION



PART NO. PCCB1-PWLxxVxRNS-68

DWG NO. PCCB1-PWLxxVxRNS-68

FILE NO.

UNIT / mm

SCALE 1:1

CHECKED BY CY

DRAWING BY

PROJECTION

TOLERANCES ARE

- .X ± 0.2
- .XX ±
- .XXX ±
- AWG

DESCRIPTION:

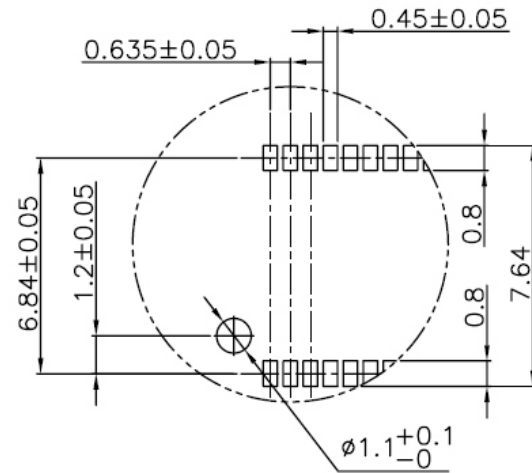
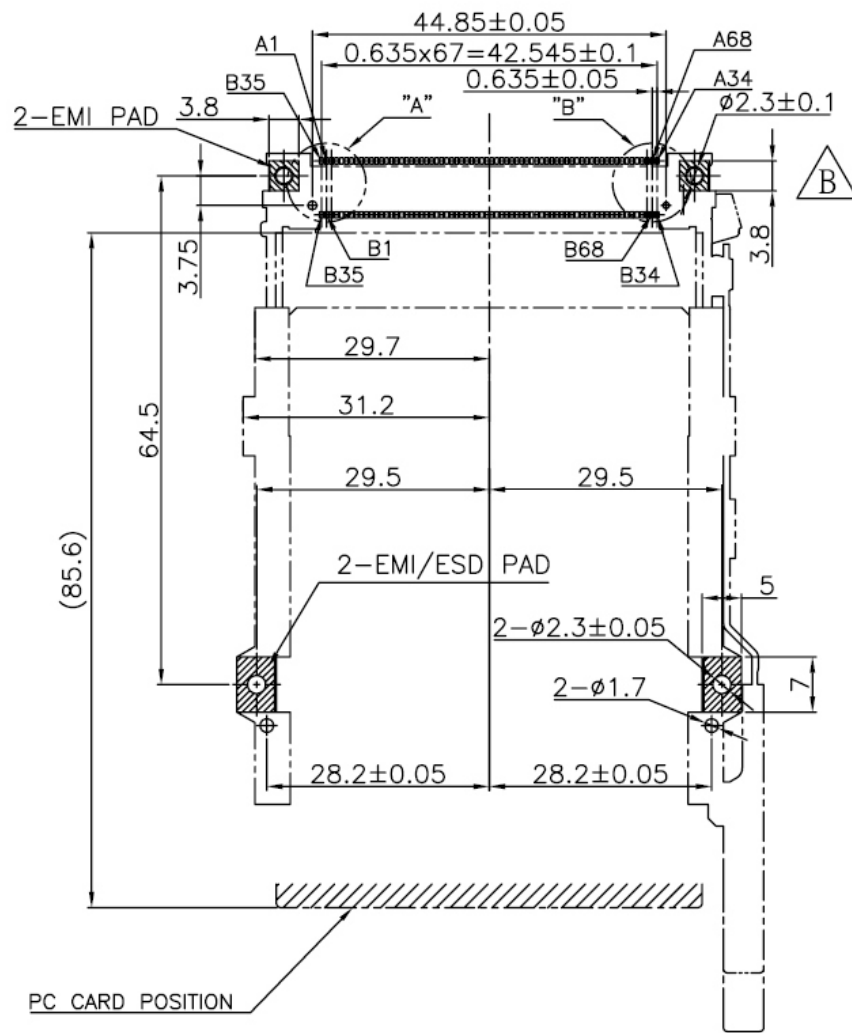
AREA

REVISIONS

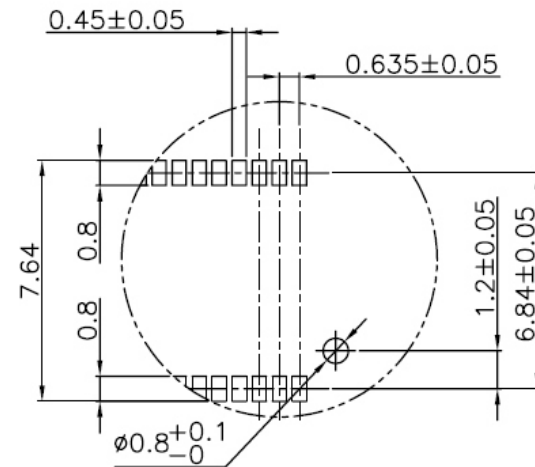
HK

DATE

焯倫股份有限公司



DETAIL "A"  
4 : 1



DETAIL "B"  
4 : 1

RECOMMENDED PCB LAYOUT  
(1) STAND OFF 0.0mm ONLY

**MORETHANALL**  
CONNECTORS  
ASSEMBLIES

PART NO. PCCB1-PWLxxVxRNS-68

DWG NO. PCCB1-PWLxxVxRNS-68

CHECKED BY CY

TOLERANCES ARE

.X ± 0.2  
.XX ±  
.XXX ±  
AWG

DESCRIPTION:

焜倫股份有限公司

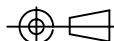
FILE NO.

DRAWING BY

UNIT / mm

SCALE 1:1

PROJECTION

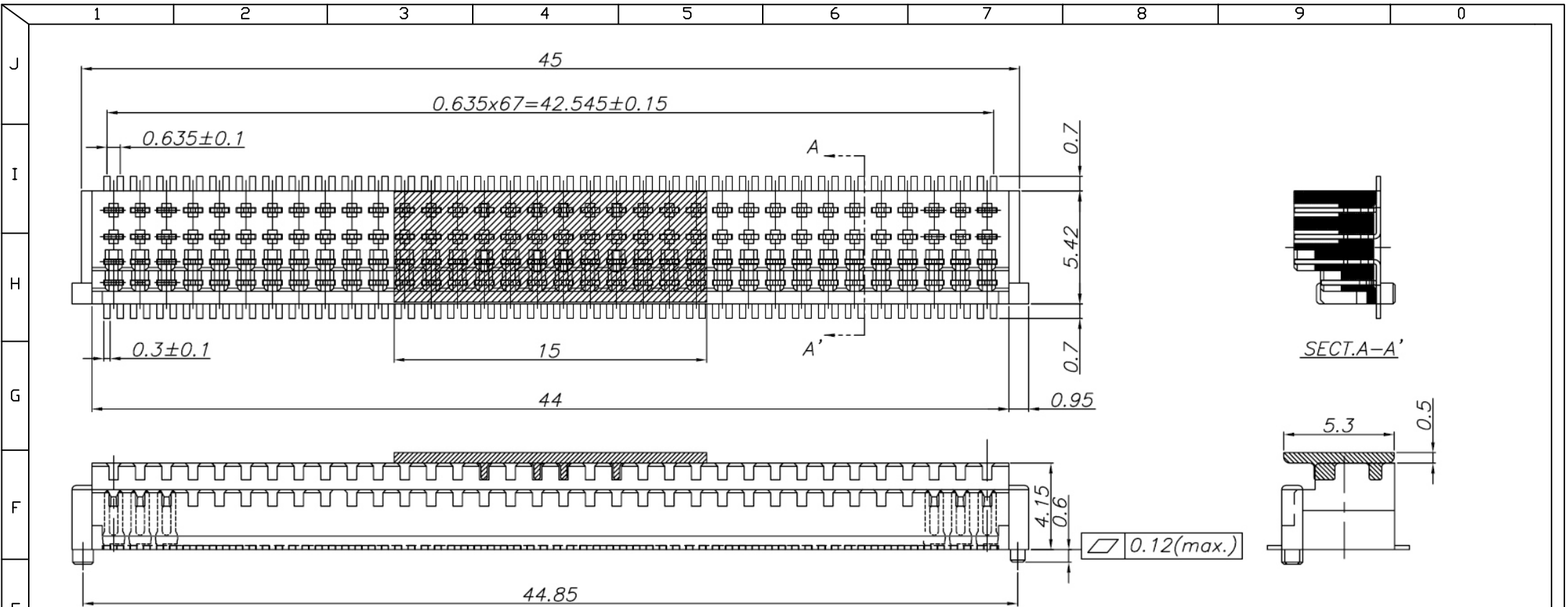


AREA

REVISIONS

HK

DATE



NOTES;

1. MATERIALS :  
HOUSING - HIGH TEMPERATURE POLYESTER.  
CONTACT - COPPER ALLOY.
2. FINISH :  
UNDER PLATING : NICKEL 60u"(min.)ALL OVER.  
CONTACT AREA :GOLD PLATING  
SOLDER AREA : GOLD PLATING
3. OPERATING TEMPERATURE : -40°C ~ +85°C.
4. 

P/N	PACKING
	TUBE
	TAPE & REEL
5. GENERAL TOLERANCE:±0.20



PART NO. PCCB1-PWL00V3RNS-68

DWG NO. PCCB1-PWL00V3RNS-68

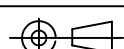
FILE NO.

UNIT / mm

SCALE 1:1

CHECKED BY CY

DRAWING BY

PROJECTION 

TOLERANCES ARE

.X ± 0.2  
.XX ±  
.XXX ±  
AWG

DESCRIPTION:

AREA	REVISIONS	HK	DATE
------	-----------	----	------

煜倫股份有限公司