

Positions	A	B	C	D
14	12.96	25.6	36.0	43.9
24	23.76	36.3	46.8	54.7
36	36.72	49.3	59.6	67.7
50	51.84	64.4	74.9	82.8

Material & finish

SHELL:

Steel
Zinc plated, Tin plated
or Nickel plated steel

PIN CONTACT:

Phosphor Bronze
Gold plated

INSULATOR:

PBT & Glass-fibre reinforced
UL-94-V0

CURRENT RATING:

1 Amp

DIELECTRIC STRENGTH:

1000V for one minute

INSULATOR RESISTANCE:

1000MΩ Min. (at 500V DC)

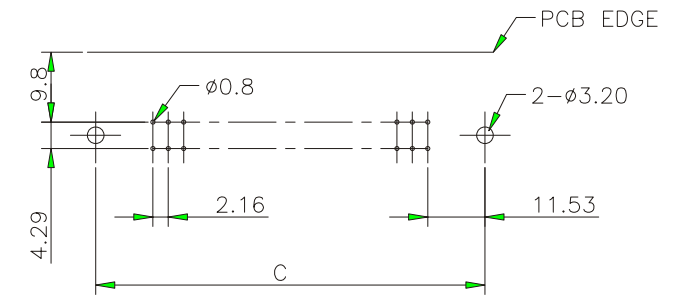
TEMPERATURE:

-55° C to +105° C

CR-PL-xx-LF

LEADFREE

RoHS Compliant



PART NO. CR-PL-xx

DWG NO. CR-PL-xx

CHECKED BY CY

TOLERANCES ARE

DESCRIPTION:

FILE NO.

DRAWING BY

.X ± 0.2
.XX ± 0.1
.XXX ±
AWG

AREA	REVISIONS	HK	DATE
------	-----------	----	------

煜倫股份有限公司

UNIT / mm

SCALE 1:1

PROJECTION