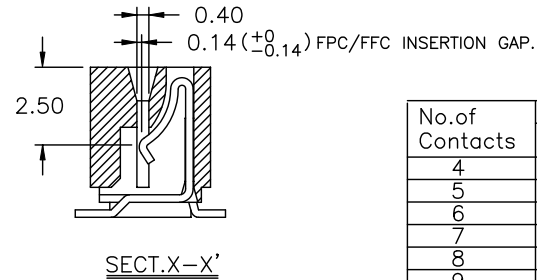
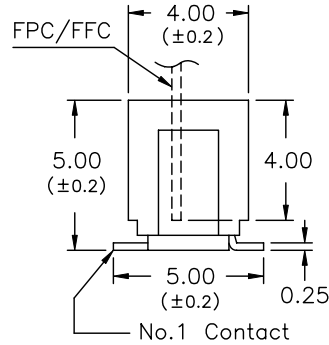
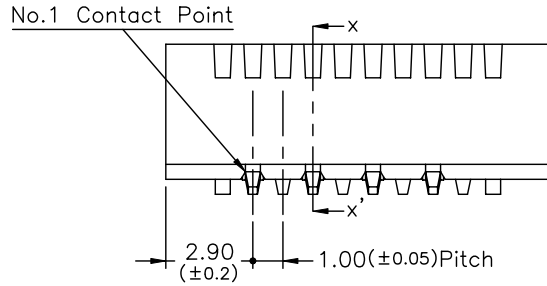


FPA-VLAL50CR-xx-LF  
LEADFREE

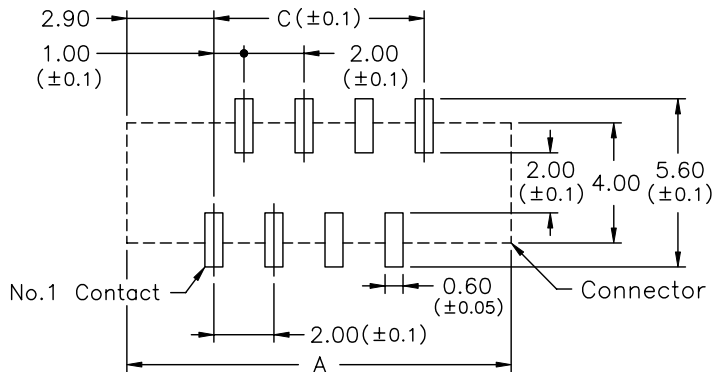
RoHS Compliant

NOTE:

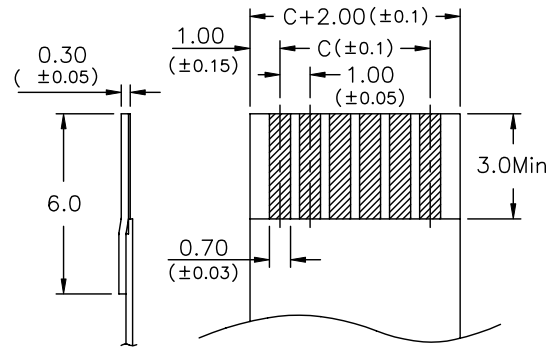
- 1.MATERIAL:  
HOUSING:THERMOPLASTIC  
CONTACTS:COPPER ALLOY
- 2.PLATING:  
CONTACTS:SEE ORDERING INFORMATION
- 3.RATING:  
OPERATING VOLTAGE:50V  
CURRENT RATING:0.5A  
OPERATING TEMPERATURE:-55°C ~ +85°C



PCB Layout



Applicable FPC



| No. of Contacts | Dimensions |       |       |
|-----------------|------------|-------|-------|
|                 | A          | B     | C     |
| 4               | 8.80       | 5.20  | 3.00  |
| 5               | 9.80       | 6.20  | 4.00  |
| 6               | 10.80      | 7.20  | 5.00  |
| 7               | 11.80      | 8.20  | 6.00  |
| 8               | 12.80      | 9.20  | 7.00  |
| 9               | 13.80      | 10.20 | 8.00  |
| 10              | 14.80      | 11.20 | 9.00  |
| 11              | 15.80      | 12.20 | 10.00 |
| 12              | 16.80      | 13.20 | 11.00 |
| 13              | 17.80      | 14.20 | 12.00 |
| 14              | 18.80      | 15.20 | 13.00 |
| 15              | 19.80      | 16.20 | 14.00 |
| 16              | 20.80      | 17.20 | 15.00 |
| 17              | 21.80      | 18.20 | 16.00 |
| 18              | 22.80      | 19.20 | 17.00 |
| 19              | 23.80      | 20.20 | 18.00 |
| 20              | 24.80      | 21.20 | 19.00 |
| 21              | 25.80      | 22.20 | 20.00 |
| 22              | 26.80      | 23.20 | 21.00 |
| 23              | 27.80      | 24.20 | 22.00 |
| 24              | 28.80      | 25.20 | 23.00 |
| 25              | 29.80      | 26.20 | 24.00 |
| 26              | 30.80      | 27.20 | 25.00 |
| 27              | 31.80      | 28.20 | 26.00 |
| 28              | 32.80      | 29.20 | 27.00 |
| 29              | 33.80      | 30.20 | 28.00 |
| 30              | 34.80      | 31.20 | 29.00 |
| 31              | 35.80      | 32.20 | 30.00 |
| 32              | 36.80      | 33.20 | 31.00 |



PART NO. FPA-VLAL50C R-xx

DWG NO. FPA-VLAL50C R-xx

CHECKED BY CY

TOLERANCES ARE

DESCRIP TION:

FILE NO.

DRAWING BY

.X ± 0.2  
.XX ± 0.1  
.XXX ±  
AWG

AREA

REVISIONS

HK

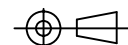
DATE

煜倫股份有限公司

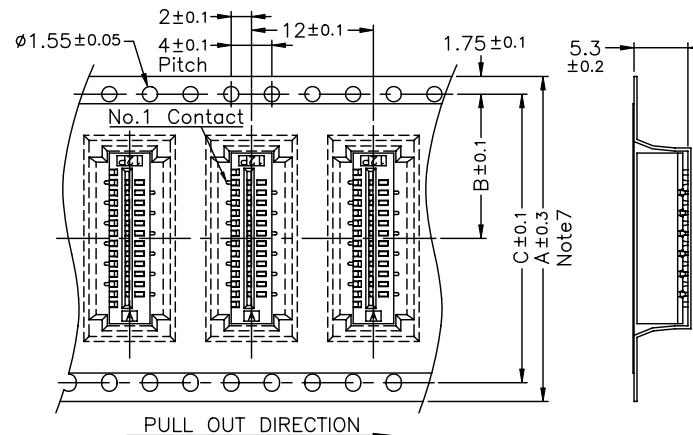
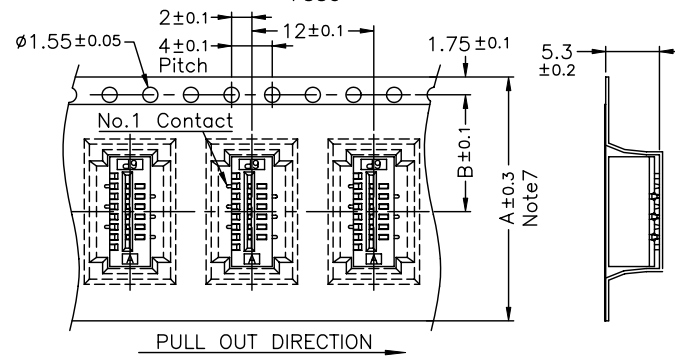
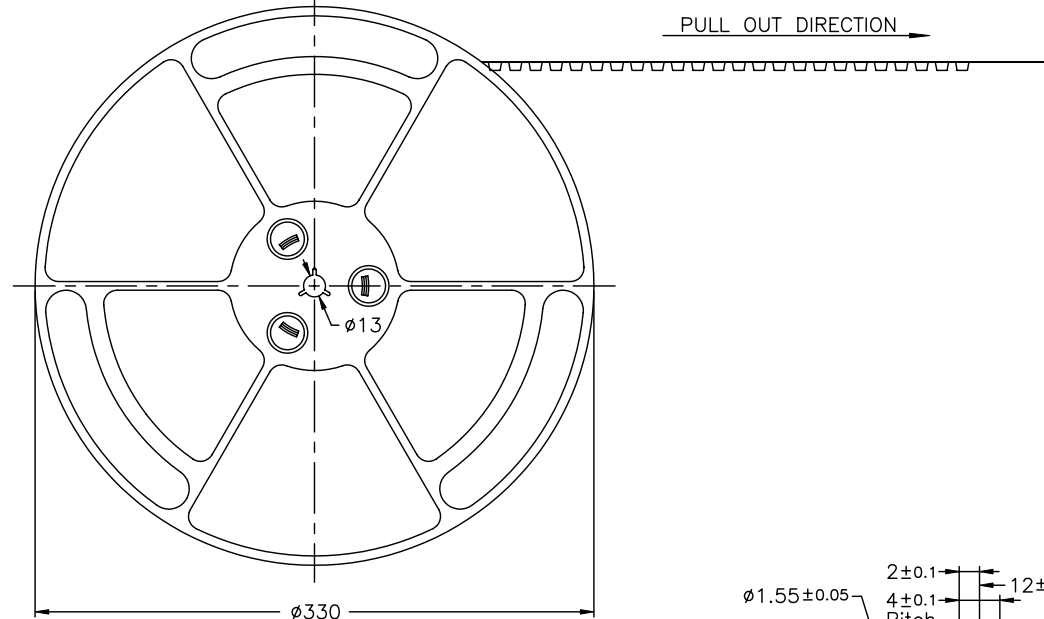
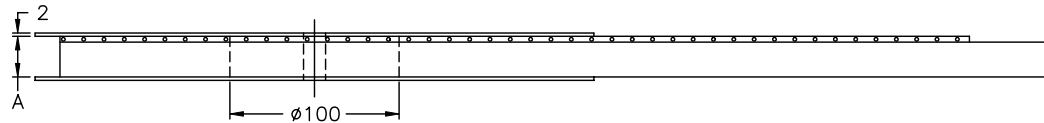
UNIT / mm

SCALE 1:1

PROJECTION



# EMBOSSED TAPE PACKING



**Note:**

- 1.10 sprocket hole pitch cumulative tolerance  $\pm 0.2$ .
2. Carrier camber is within 1 mm in 250mm.
3. Material : Black Conductive Polystyrene Alloy
4. All dimensions meet EIA-481-B requirements.
5. Thickness :  $0.35 \pm 0.05$ mm
6. Component load per 13" reel : 1000 pcs.
7. For tape width (dimension A) 24mm a pilot hole is provided on one side.  
For tape width (dimension A) 32mm and 44,56mm pilot holes are provided on both sides.

| No. of Contacts | DIM. A<br>Note 7 | DIM. B | DIM. C |
|-----------------|------------------|--------|--------|
| 4<br>↓<br>10    | 24               | 11.5   | —      |
| 11<br>↓<br>15   | 32               | 14.2   | 28.4   |
| 16<br>↓<br>27   | 44               | 20.2   | 40.4   |
| 28<br>↓<br>32   | 56               | 26.2   | 52.4   |

**MORETHANALL**  
CONNECTORS  
ASSEMBLIES

PART NO. FPA-VLAL50CR-xx

DWG NO. FPA-VLAL50CR-xx

CHECKED BY CY

TOLERANCES ARE

.X  $\pm 0.2$   
.XX  $\pm 0.1$   
.XXX  $\pm$   
AWG

DESCRIPTION:

焯倫股份有限公司

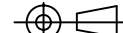
FILE NO.

DRAWING BY

UNIT / mm

SCALE 1:1

PROJECTION



AREA

REVISIONS

HK

DATE