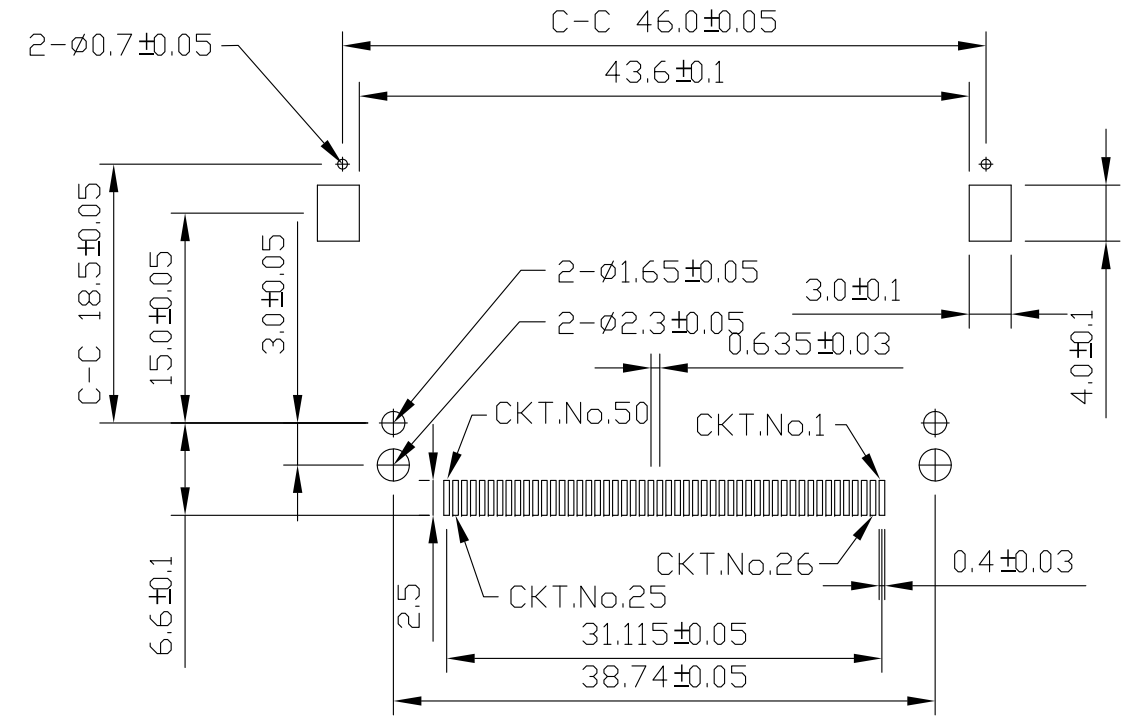


- NOTES:
- MATERIAL:
 - HOUSING: GLASS REINFORCED LCP UL94V-0
COLOR IVORY
 - CONTACT: BRASS ALLOY
 - MOUNT EAR: BRASS
 - FINISH:
 - CONTACT : GOLD PLATING ON CONTACT AREA, 100u" TIN ON SOLDER TAIL, WITH ENTIRE CONTACT 40u" NICKEL UNDER PLATED.
 - MOUNT EAR: 100u" TIN PLATED OVERALL



RECOMMENDED P.C.B LAYOUT

CFC-PW38CE001-50-LF
LEADFREE

RoHS Compliant



PART NO. CFC-PW38CE001-50

DWG NO. CFC-PW38CE001-50

FILE NO.

UNIT / mm

CHECKED BY CY

DRAWING BY

SCALE 1:1

PROJECTION

TOLERANCES ARE

- .X ± 0.2
- .XX ±
- .XXX ±
- AWG

DESCRIPTION:

CF(Compact Flash)STD
H:4.0mm ,Post Range 38.74mm

AREA

REVISIONS

HK

DATE

煜倫股份有限公司