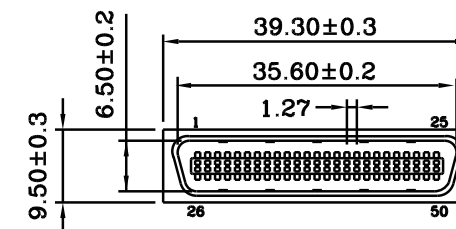
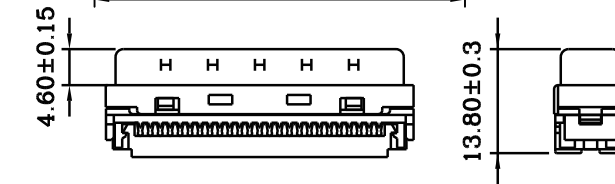
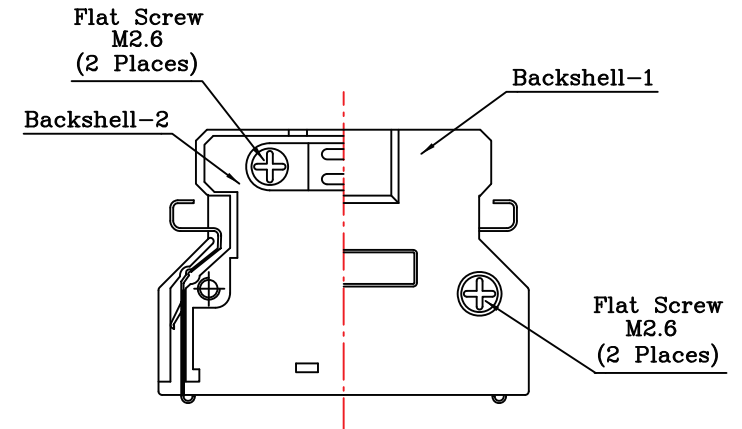
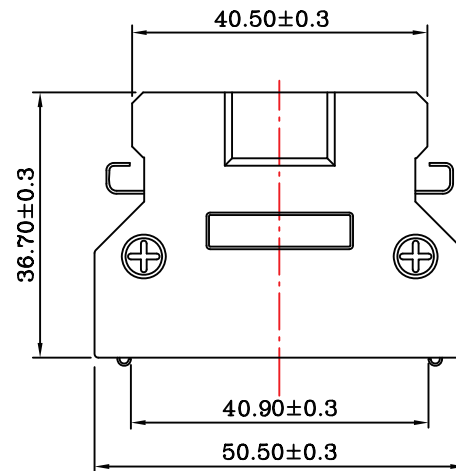


FEATURES:

- Round cable straight exit
- Strain relief staple with spring latches
- Backshell desing by Die-Cast
- Excellent EMI/RFI protection

MATERIALS:(RoHS Compliant)

- Backshell: Zinc plated nickel over copper
- Spring latches: Phosphor Bronze over Nickel
- Screw: steel nickel plated over copper
- Cable Clipper: steel nickel plated



MORETHANALL
PCB CONNECTORS
Cable ASSEMBLIES

煜倫股份有限公司

www.morethanall.com

RoHS Compliant

DRAWING BY CY

CHECKED BY GENIUS

UNIT/mm SCALE 1:1

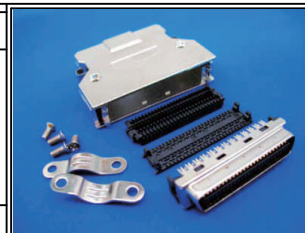
DATE

SIZE A4

TOLERANCES ARE

X. ±
.X ± 0.20
.XX ± 0.10
.XXX ±
ANG ±

P PROJECTION



ORDER INFORMATION

HPC-PFW-050-LF
SERIES | LEADFREE
50 WAY
W TYPE COVER
IDC
MALE

DESCRIPTION: