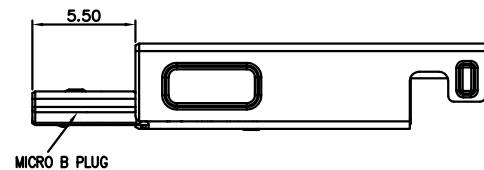
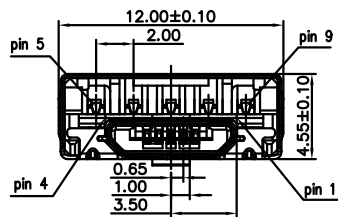
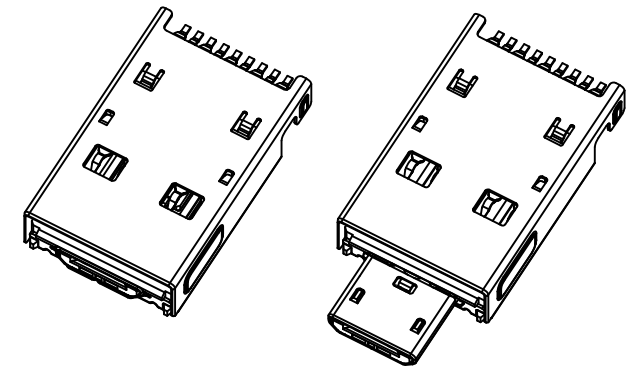


RECOMMEND P.C.B LAYOUT (THICKNESS=0.8mm)
(COMPONENT SIDE) TOLERANCE

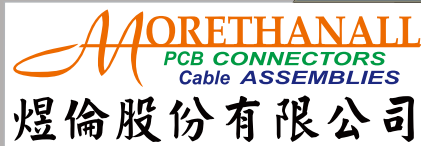
Material:

- A. Insulator : Thermoplastic G.F. UL94V-0.
- B. Contacts : Copper Alloy.
- C. Shell : Metal.
- D. Environmental :
-55. C to +105. C



Pin Assignment		
USB3.0 A TYPE	MICRO B PLUG	Signal Name
PIN 1	PIN 1	V Bus
PIN 2	PIN 2	D-
PIN 3	PIN 3	D+
PIN 4	PIN 4	ID
	PIN 5	GND
PIN 5		StdA_SSRX-
PIN 6		StdA_SSRX+
PIN 7		GND_DRAIN
PIN 8		StdA_SSTX-
PIN 8		StdA_SSTX+

RoHS Compliant

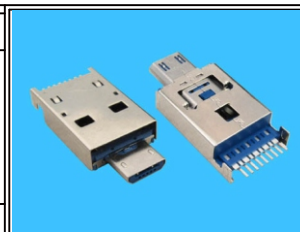


www.morethanall.com

DRAWING BY CY
CHECKED BY GENIUS
UNIT / mm SCALE 1 : 1
DATE
SIZE A4 PPROJECTION

TOLERANCES ARE

X. ±
.X ±
.XX ±
.XXX ±
ANG ±



ORDER INFORMATION

MIBUB-PWM1-5B9ALF

SERIES | LEADFREE
METAL | 5 PIN B TYPE TO 9 PIN A TYPE
90°SMT
MALE

DESCRIPTION: USB A公 3.0 沉板SMT