

RoHS Compliant

TOLERANCES ARE

MORETHANALL
PCB CONNECTORS
Cable ASSEMBLIES

DRAWING BY CY

X, ±

CHECKED BY GENIUS

.X, ±

UNIT/ mm

SCALE 1:1

.XX, ±

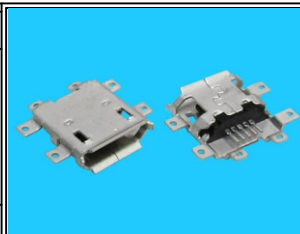
DATE

.XXX, ±

ANG, ±

SIZE A4

PJECTION



ORDER INFORMATION

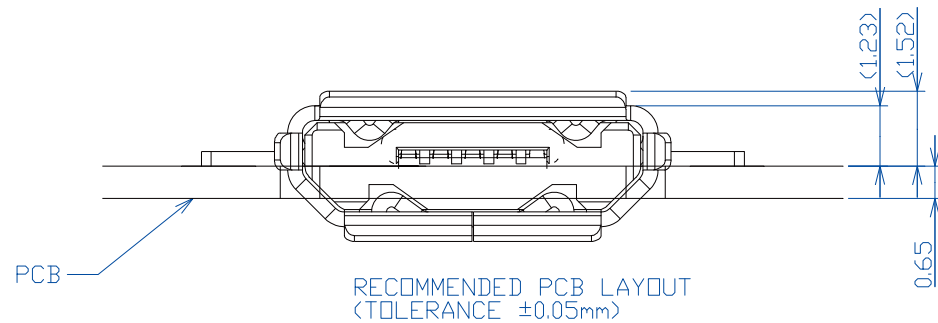
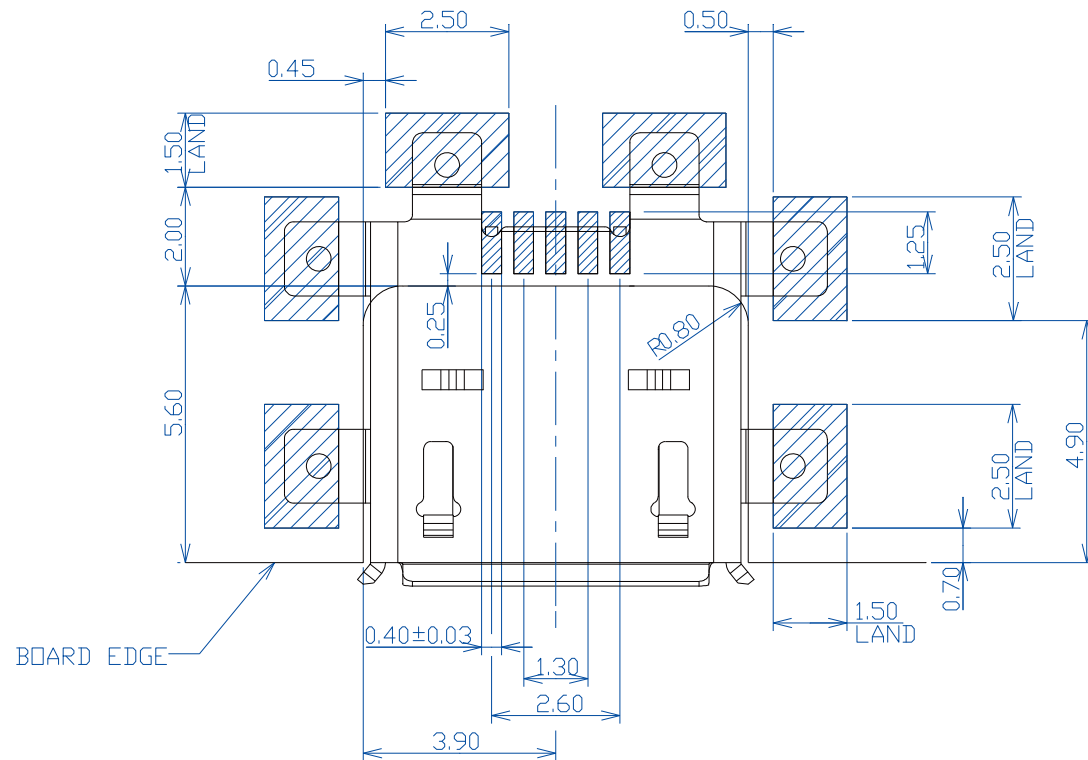
MISB-SWF6-5B-LF

SERIES				LEADFREE
				5 PIN B TYPE
				OFF/SET 6 EARS
				90°SMT
				FEMALE

DESCRIPTION: MICRO USB CONNECTOR RECEPTACLE MID-MOUNT B TYPE.

煜倫股份有限公司

www.morethanall.com



MORETHANALL
PCB CONNECTORS
Cable ASSEMBLIES

煜倫股份有限公司

www.morethanall.com

RoHS Compliant

DRAWING BY CY

CHECKED BY GENIUS

UNIT/mm SCALE 1:1

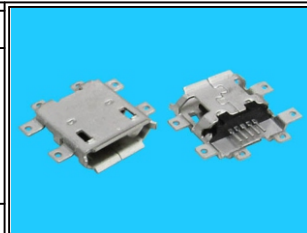
DATE

SIZE A4

TOLERANCES ARE

X, ±
.X ±
.XX ±
.XXX ±
ANG ±

PJECTION



ORDER INFORMATION

MISB-SWF6-5B-LF

SERIES | LEADFREE
5 PIN B TYPE
OFF/SET 6 EARS
90°SMT
FEMALE

DESCRIPTION: MICRO USB CONNECTOR RECEPTACLE MID-MOUNT B TYPE.