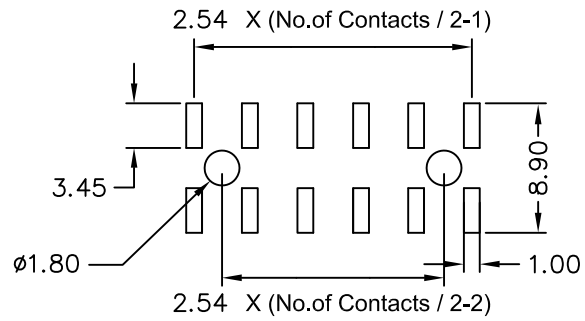
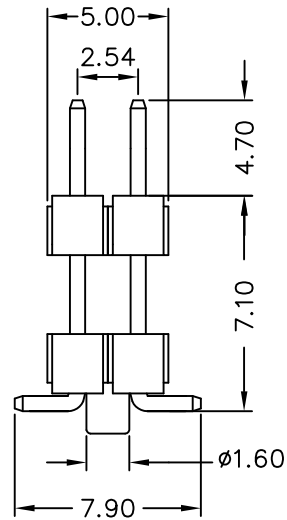
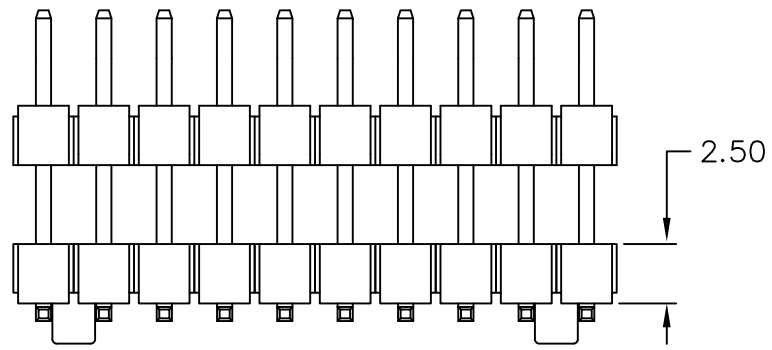
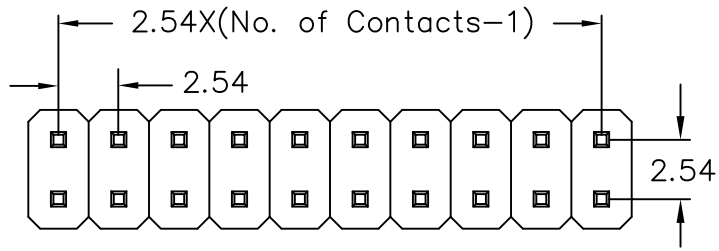


1 2 3 4 5 6 7 8 9 0

J
I
H
G
F
E
D
C
B
A



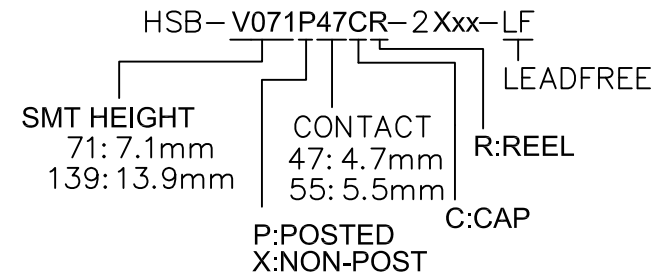
Recommended P.C.B Layout

MATERIAL

Insulator : 30% Glass fiber PBT
Contact Pin : Brass

SPECIFICATION

Current Rate : 3 AMP
Insulation Resistance : 5000MΩMin. at DC 500V
Contact Resistance : 20mΩMax. at DC 100mA
Dielectric Voltage : AC 500V for one minute
Operation Temperature : -40°C to + 105°C



RoHS Compliant



PART NO. HSB-VxxxPyy-2Xxx	
DWG NO. HSB-VxxxPyy-2Xxx	
FILE NO.	
UNIT / mm	SCALE 1:1

APPROVED BY CY	TOLERANCES ARE .X ± 0.3 .XX ± 0.2 .XXX AWG
DRAWING BY	
PROJECTION	

DESCRIPTION:	PIN HEADER 2.54*2.54mm STRAIGHT STACK			
AREA	REVISIONS	HK	DATE	

煜倫股份有限公司