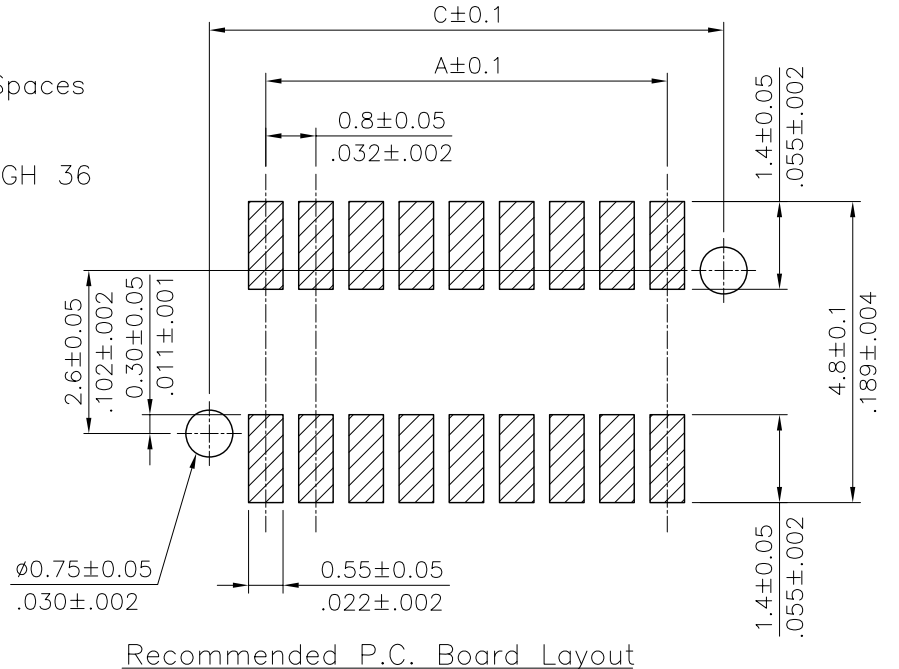
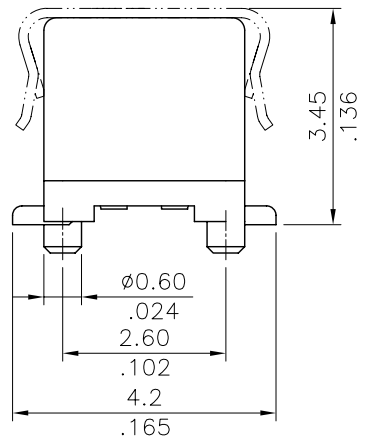
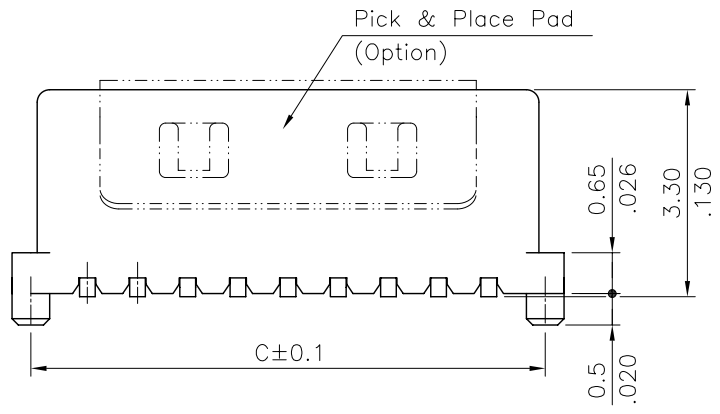


Material:

- * Housing :NYLON 6T WITH 30% GF. UL 94V-0 Color Black
- * Contact: Phosphor Bronze
- * Pick & Place Pad: Phosphor Bronze

DIM A = 0.8 X No. of Spaces
 DIM B = DIM A + 2.4
 DIM C = DIM A + 1.8
 * AVAILABLE IN 6 THROUGH 36
 CIRCUITS



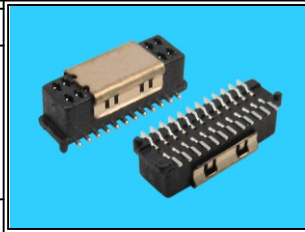
Recommended P.C. Board Layout

RoHS Compliant

TOLERANCES ARE

MORETHANALL
 PCB CONNECTORS
 Cable ASSEMBLIES
 煜倫股份有限公司
 www.morethanall.com

DRAWING BY CY		X.± .X± .XX± .XXX± ANG±
CHECKED BY GENIUS		
UNIT / mm	SCALE 1 : 1	
DATE		
SIZE A4	PJECTION	



ORDER INFORMATION

F85-VPC-xx-LF
 SERIES | | LEADFREE
 | | 06-36 WAY
 | CAP
 | POST
 | 90°SMT

DESCRIPTION: