

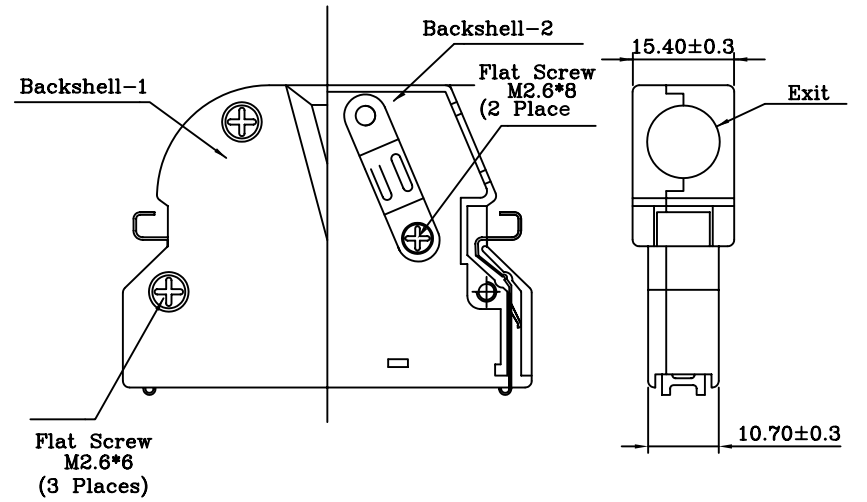
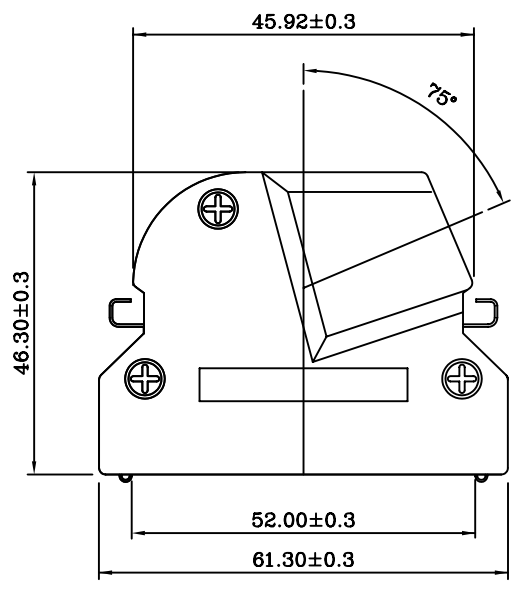
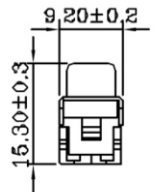
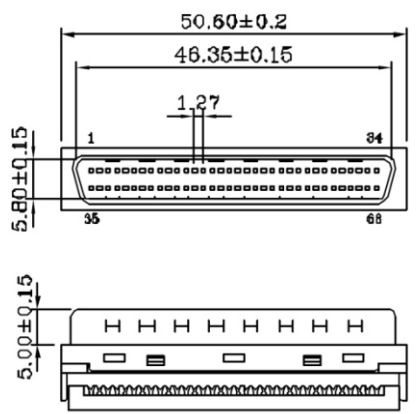
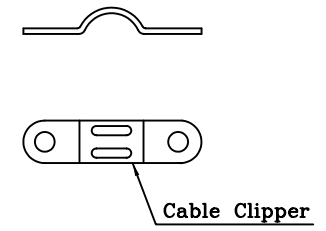
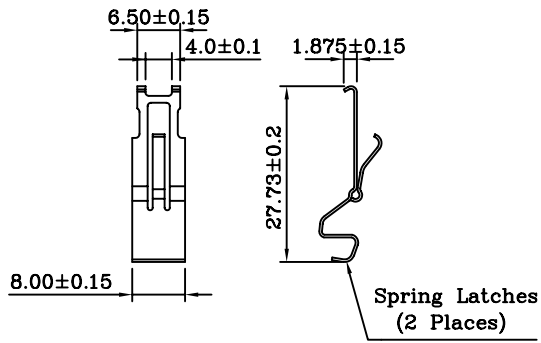
FEATURES:

- Round cable angled exit 70°
- Strain relief staple with spring latches
- Backshell desing by Die-Cast
- Excellent EMI/RFI protection

MATERIALS:

- Backshell: Zinc plated nickel over copper
- Spring latches: Phosphor Bronze over Nickel
- Screw: steel nickel plated over copper
- Cable Clipper: steel nickel plated

HPD-PFWA-068-LF
LEADFREE
RoHS Compliant



MORETHANALL
CONNECTORS
ASSEMBLIES
焯倫股份有限公司

PART NO. HPD-PFWA-068	
DWG NO. HPD-PFWA-068	
FILE NO.	SCALE 1:1
UNIT / mm	PROJECTION

CHECKED BY CY	TOLERANCES ARE
DRAWING BY	.X ± 0.2
	.XX ± 0.1
	.XXX ±
	AWG

DESCRIPTION:	1.27mm(.050") Series 68P Hood Shielded Die-Cast With Spring Latches
AREA	REVISIONS
	HK
	DATE

--	--	--	--