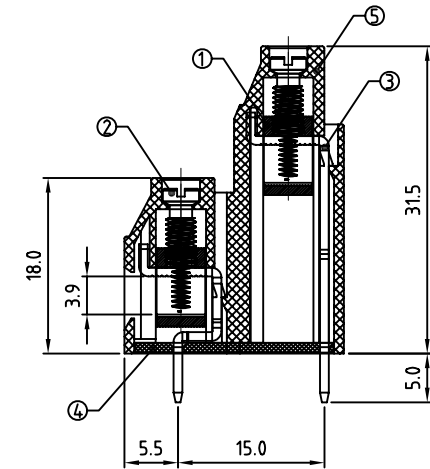
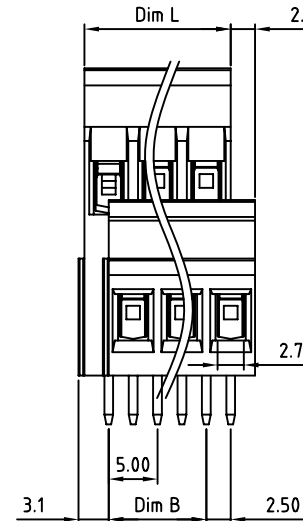
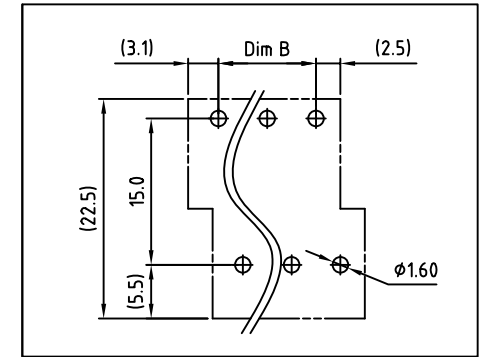
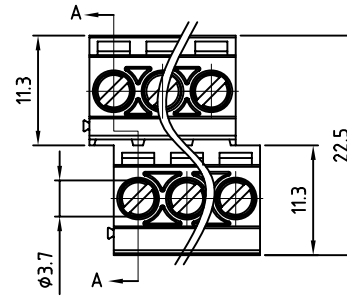


Material

- Item ① Terminal body(metal housing): Brass(CuZn)
- Item ② Terminal screw: Steel Zinc plating "-" slot type
- Item ③ Contacts: Brass, Tin plated
- Item ④ Insulator (Cover): Thermoplastic (UL94V-0)
- Item ⑤ Insulator (Body): Thermoplastic (UL94V-0)

Electrical

- Voltage rating: 300VAC
- Current rating: 20A
- Wire range:
- Solid wire(AWG): 12-22
- Stranded wire(AWG): 12-22
- Torque(Lb-In): 4.3
- Screw: M3
- Wire strip length: 6-7mm
- Withstanding Voltage: 1.6KV
- Operating temperature: -30°C to +105°C
- Soldering temperature: 250°C±10°C/5 Sec



| | | | | | | | | | | | | |
|-------|-------|-------|-------|-------|-------|-------|-------|-------|-------|-------|-------|-------|
| Poles | 2x2 | 2x3 | 2x4 | 2x5 | 2x6 | 2x7 | 2x8 | 2x9 | 2x10 | 2x11 | 2x12 | 2x13 |
| Dim L | 10.00 | 15.00 | 20.00 | 25.00 | 30.00 | 35.00 | 40.00 | 45.00 | 50.00 | 55.00 | 60.00 | 65.00 |
| Dim B | 5.00 | 10.00 | 15.00 | 20.00 | 25.00 | 30.00 | 35.00 | 40.00 | 45.00 | 50.00 | 55.00 | 60.00 |
| TOL | ±0.15 | | | | ±0.20 | | | | | | ±0.25 | |
| Poles | 2x14 | 2x15 | 2x16 | 2x17 | 2x18 | 2x19 | 2x20 | 2x21 | 2x22 | 2x23 | 2x24 | |
| Dim L | 70.00 | 75.00 | 80.00 | 85.00 | 90.00 | 95.00 | 100.0 | 105.0 | 110.0 | 115.0 | 120.0 | |
| Dim B | 65.00 | 70.00 | 75.00 | 80.00 | 85.00 | 90.00 | 95.00 | 100.0 | 105.0 | 110.0 | 115.0 | |
| TOL | ±0.25 | | | | ±0.30 | | | | | | | |

RoHS Compliant

TOLERANCES ARE



DRAWING BY CY

CHECKED BY GENIUS

UNIT / mm

SCALE 1 : 1

DATE

SIZE A4

P PROJECTION

X, ±
.X ±
.XX ±
.XXX ±
ANG ±



ORDER INFORMATION

TBH050B1-D18R-xx-LF

SERIES

DIP 180°
HIGH 18.0mm

LEADFREE
POS PER ROW
02:02 WAY
24:24 WAY
R TYPE FOOT

DESCRIPTION:

www.morethanall.com