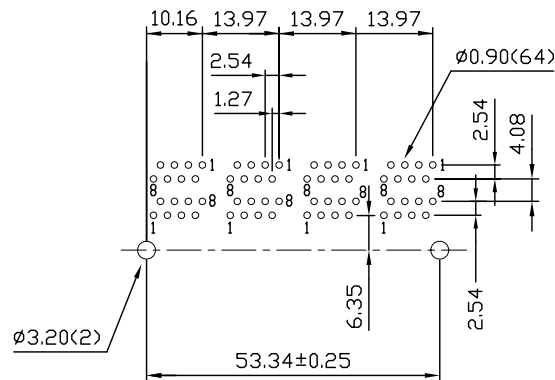
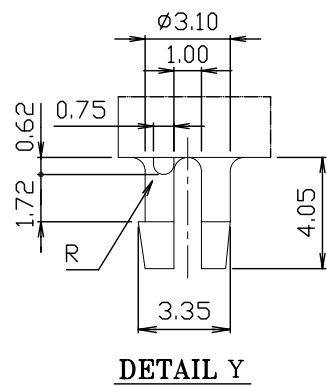
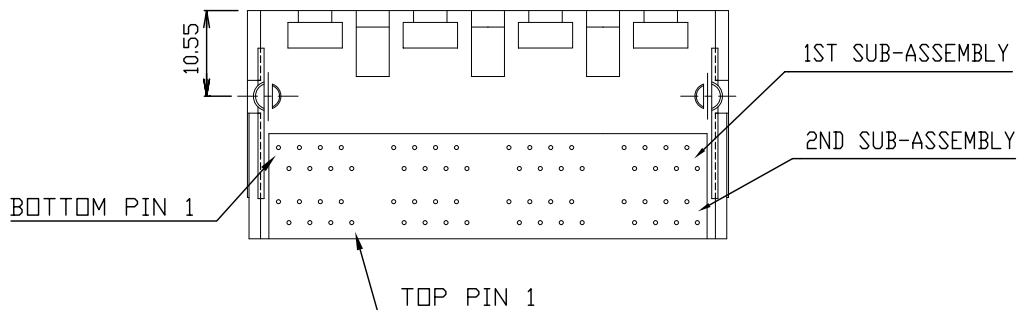


MATERIAL:
 ◦HOUSING-PBT POLYESTER UL-94V-0
 MIXED GLASS FIBER,
 STANDARD COLOR-BLACK
 ◦CONTACTS-0.35mm THICK PHOS-BRONZE
 PLATED WITH HARD GOLD AND
 GOLD FLASH IN SOLDER AREA.
 CAVITY CONFIRMS TO FCC RULES AND REGULATIONS
 PART 68,SUBPART F.



MJ24B4-KX06-0808-LF
 LEADFREE

RoHS Compliant

MORETHANALL
 CONNECTORS
 ASSEMBLIES

PART NO. MJ24B4-KX06-0808

DWG NO. MJ24B4-KX06-0808

CHECKED BY CY

TOLERANCES ARE

DESCRIPTION:

2X4 (8PORTS) 8POSITIONS
 RIGHT ANGLE PCB JACK

FILE NO.

DRAWING BY

.X ± 0.2
 .XX ±
 .XXX ±
 AWG

AREA

REVISIONS

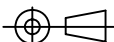
HK

DATE

UNIT / mm

SCALE 1:1

PROJECTION



煜倫股份有限公司