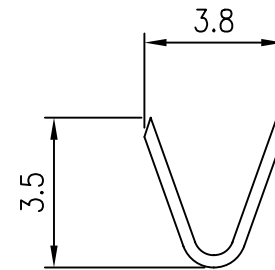
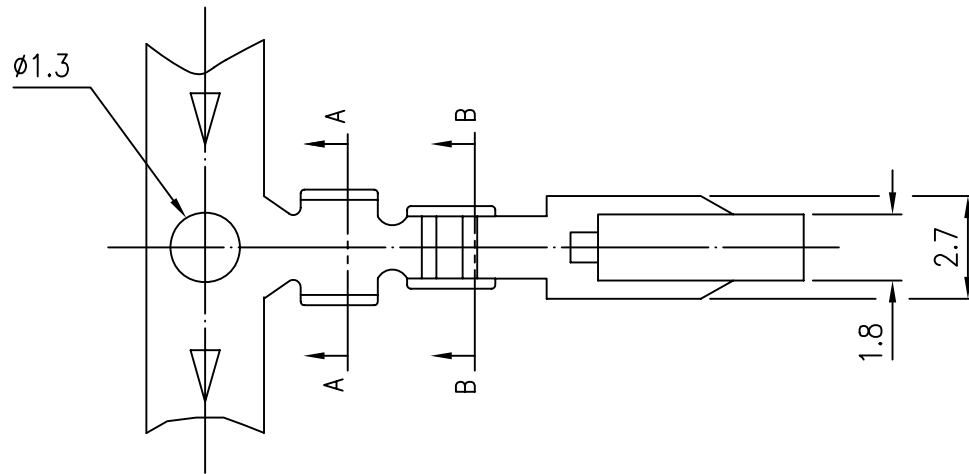
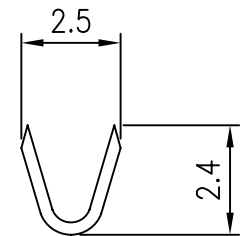


■ **TERMINAL**

- Part No: KK-T-18
- Material: Brass
- Thickness: 0.25mm
- Plating: Tin plated 60u"
- Wire Range: Suitable for AWG#18~26
- Insulation O.D: 2.5mm (max)
- Q'TY: 6,000 pcs/roll



A-A SECTION



B-B SECTION

**MORETHANALL**  
CONNECTORS  
ASSEMBLIES

PART NO. KK-T-18

DWG NO. KK-T-18

FILE NO.

APPROVED BY CY

DRAWING BY

TOLERANCES ARE

.X  
.XX  
.XXX  
AWG

DESCRIPTION:

3.96mm Pitch Terminal

煜倫股份有限公司

UNIT / mm

SCALE 1:1

PROJECTION



AREA

REVISIONS

HK

DATE