

	C±0.17	D±0.17
1.8V	17.67	52.77
2.5V	16.77	53.67

DETAIL A VOLTAGE OPTION

NOTES:

1. MATERIAL:

- 1.1 HOUSING: LCP WITH 30% G.F. UL 94V-0
- 1.2 CONTACT: BRASS
- 1.3 LATCH: STAINLESS

2. FINISH:

- 2.1 CONTACT: GOLD PLATED ON CONTACT & SOLDERING END OVER 50u" MIN. NICKEL UNDER-PLATING.
- 2.2 LATCH: 60~100u" SN ONLY (MATTE) PLATING OVER 50u" MIN. NICKEL UNDERPLATING

RoHS Compliant

MORETHANALL
PCB CONNECTORS
Cable ASSEMBLIES

煜倫股份有限公司

www.morethanall.com

DRAWING BY CY

CHECKED BY GENIUS

UNIT/mm

SCALE 1:1

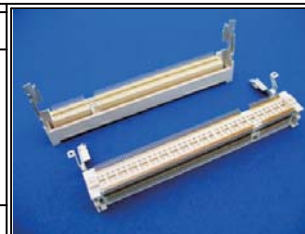
DATE

SIZE A4

PJECTION

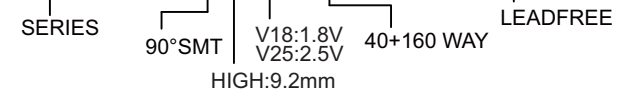
TOLERANCES ARE

- X. ±
- .X ±
- .XX ±
- .XXX ±
- ANG ±

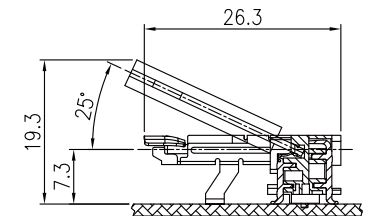
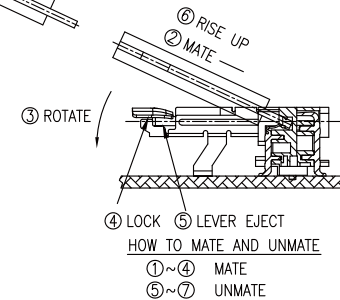
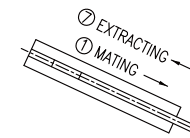
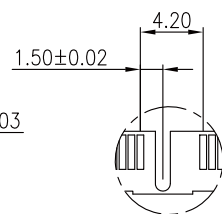
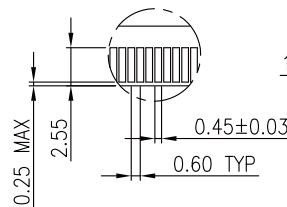
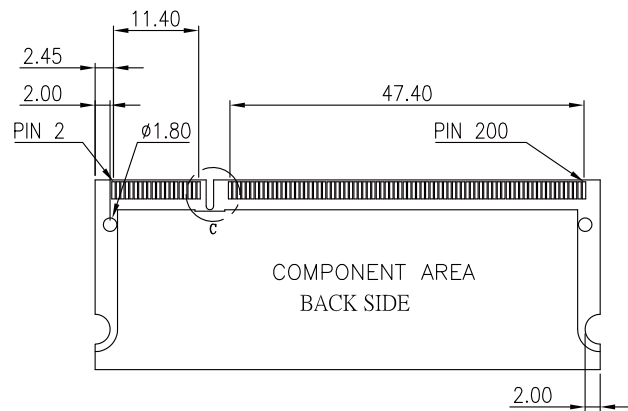
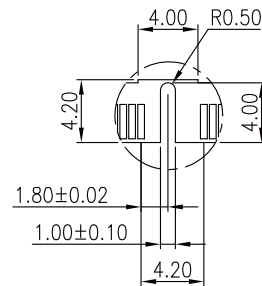
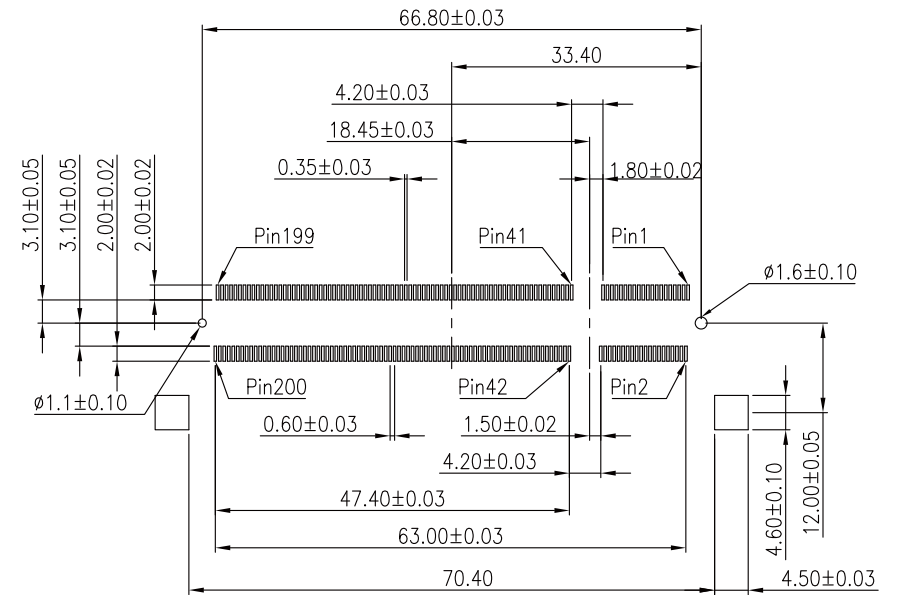
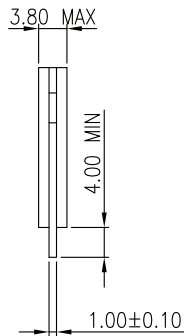
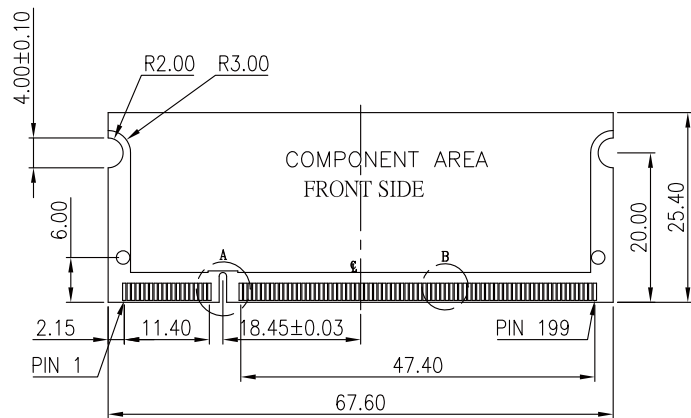


ORDER INFORMATION

SDM6-W92Vxx-40A6-LF



DESCRIPTION: DDR S.O.DIMM SOCKET 0.6MM PITCH, 200 PIN, 9.2 MM HEIGHT, STANDARD B-TYPE (RoHS)



RECOMMENDED MODULE CONFIGURATION.

RoHS Compliant

TOLERANCES ARE

MORETHANALL
PCB CONNECTORS
Cable ASSEMBLIES

煜倫股份有限公司

www.morethanall.com

DRAWING BY CY

CHECKED BY GENIUS

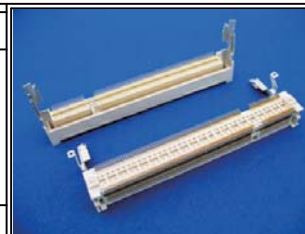
UNIT/mm SCALE 1:1

DATE

SIZE A4

PJECTION

X. ±
.X ±
.XX ±
.XXX ±
ANG ±

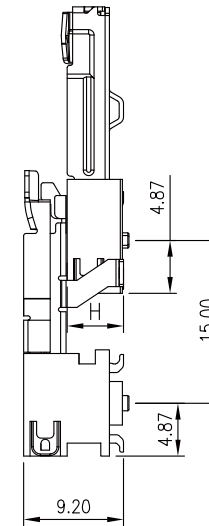
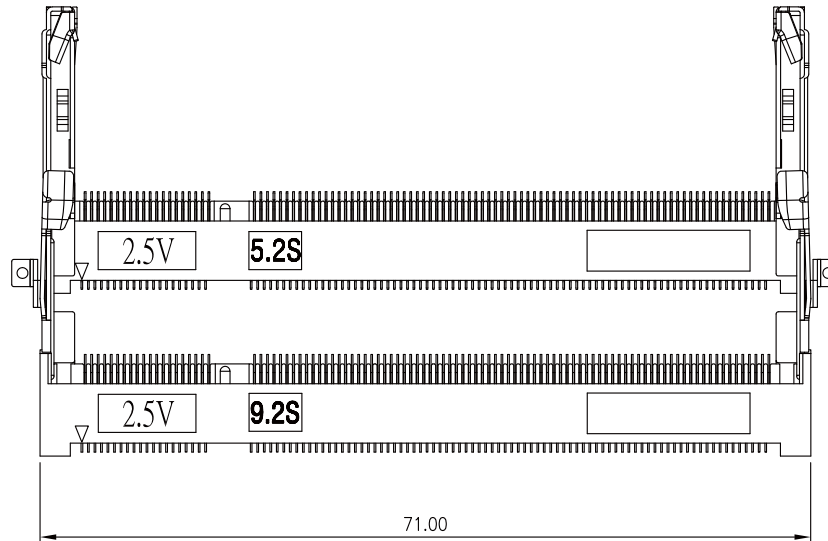


ORDER INFORMATION

SDM6-W92Vxx-40A6-LF

SERIES 90°SMT V18:1.8V V25:2.5V HIGH:9.2mm 40+160 WAY LEADFREE

DESCRIPTION: DDR S.O.DIMM SOCKET 0.6MM PITCH, 200 PIN, 9.2 MM HEIGHT, STANDARD B-TYPE (RoHS)



H=4.0MM (USING 4.0MM HEIGHT CONNECTOR)
H=5.2MM (USING 5.2MM HEIGHT CONNECTOR)

COMBINATION DIMENSION FOR 4.0H OR 5.2H CONNECTOR

RoHS Compliant

TOLERANCES ARE

MORETHANALL
PCB CONNECTORS
Cable ASSEMBLIES

煜倫股份有限公司

www.morethanall.com

DRAWING BY CY

CHECKED BY GENIUS

UNIT/mm SCALE 1:1

DATE

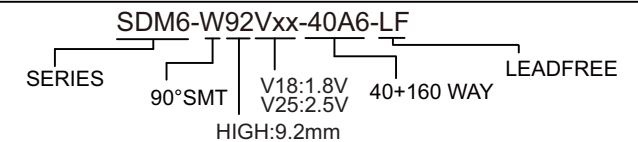
SIZE A4

PJECTION

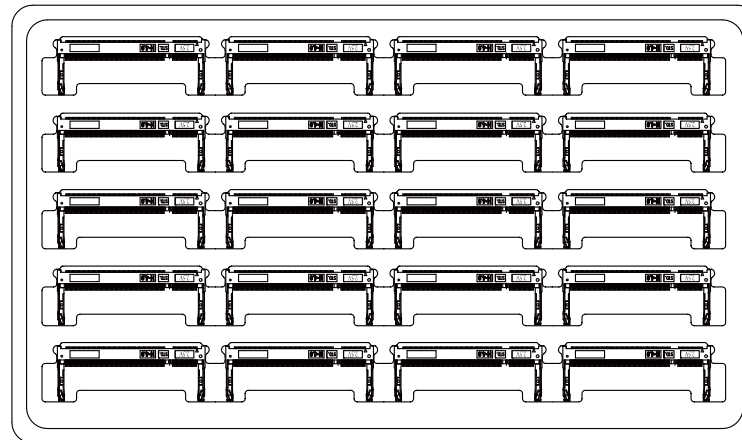
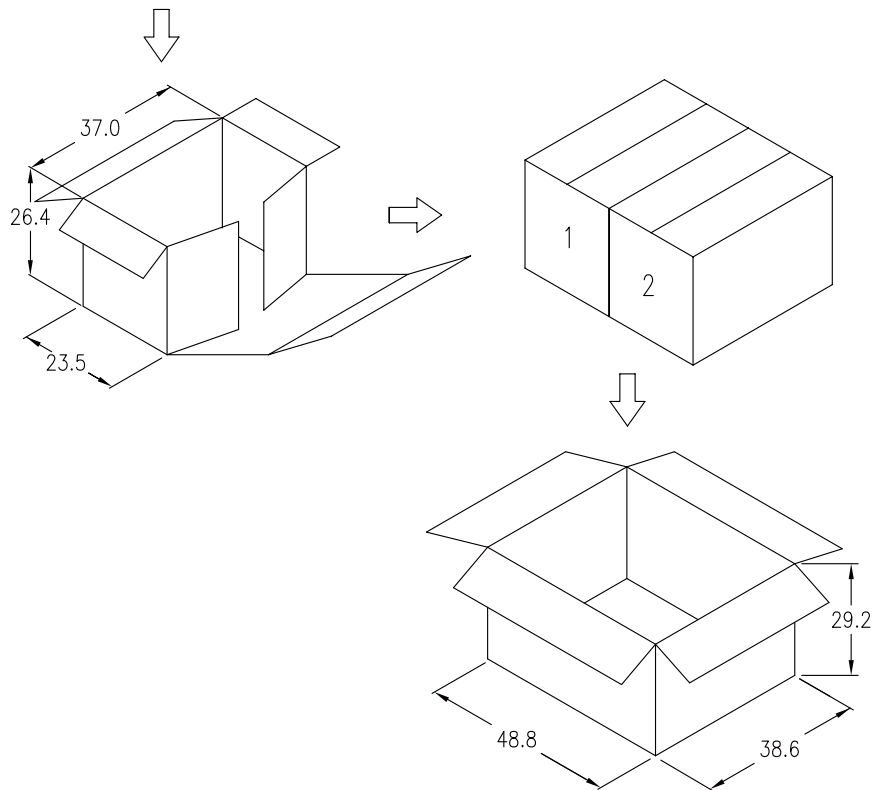
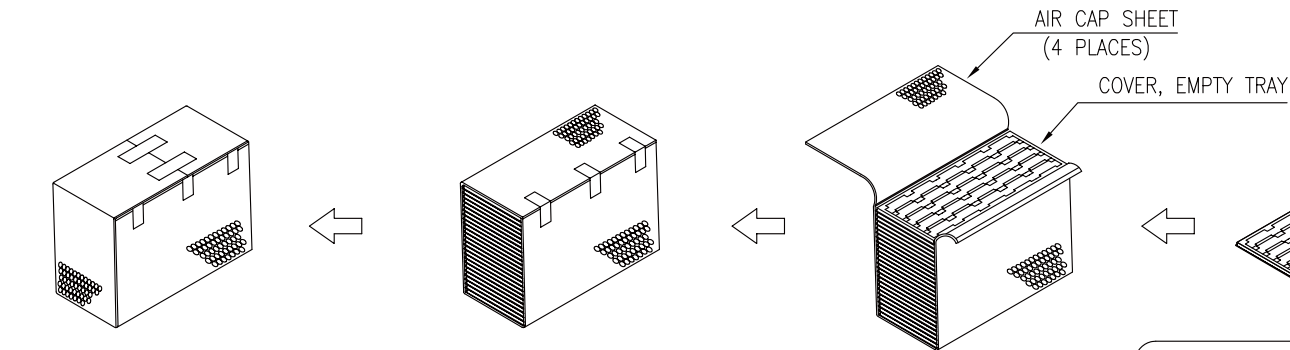
X. ±
.X ±
.XX ±
.XXX ±
ANG ±



ORDER INFORMATION



DESCRIPTION: DDR S.O.DIMM SOCKET 0.6MM PITCH, 200 PIN, 9.2 MM HEIGHT, STANDARD B-TYPE (RoHS)



DESCRIPTION	S.O DIMM 200POS SMT 4.0 MM	S.O DIMM 200POS SMT 5.2 MM	S.O DIMM 200POS SMT 8.0 MM	S.O DIMM 200POS SMT 9.2 MM
PCS/TRAY	20	20	20	20
TRAY/INNER BOX	37+1 個空盤作為上蓋	30+1 個空盤作為上蓋	20+1 個空盤作為上蓋	20+1 個空盤作為上蓋
TOTAL (PCS)	740x2=1480	600x2=1200	400x2=800	400x2=800
CTN SIZE	48.8x38.6x29.2 CM	48.8x38.6x29.2 CM	48.8x38.6x29.2 CM	48.8x38.6x29.2 CM
TRAY MATERIAL	PS	PS	PS	PS
NW	5624G	5400G	5120G	5520G
GW	10225G	9303G	8369G	8769G

RoHS Compliant

TOLERANCES ARE

MORETHANALL
PCB CONNECTORS
Cable ASSEMBLIES

煜倫股份有限公司

www.morethanall.com

DRAWING BY CY

CHECKED BY GENIUS

UNIT/mm SCALE 1:1

DATE

SIZE A4

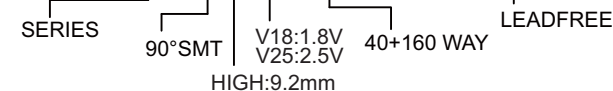
X, ±
.X ±
.XX ±
.XXX ±
ANG ±

PJECTION



ORDER INFORMATION

SDM6-W92Vxx-40A6-LF



DESCRIPTION: DDR 200 POS SMT 4.0MM,5.2MM,8.0MM,9.2MM PACKAGING