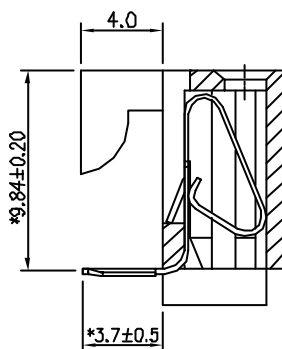
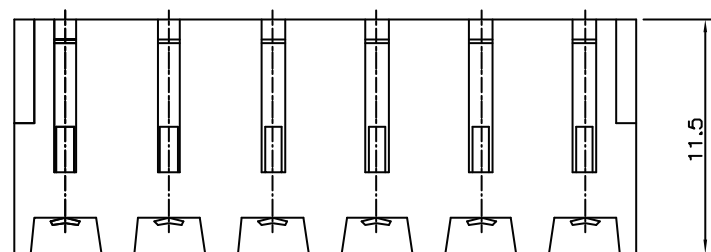
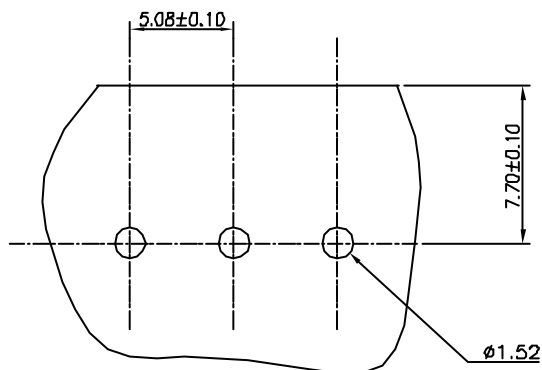


Specifications  
 Material & Finish  
 Housing Material: Nylon UL94V-2  
 Plating:  
 Contacts: Copper alloy/Under plating : Nickel (50u")Min.  
 Over plating : Tin alloy (100?"")Min.  
 Mating Force : 6.7 N Max.  
 Unmating Force : 1 N min.  
 Normal Force : 3.4 N g.  
 Electrical Performance:  
 CURRENT-max. : 7.0A  
 VOLTAGE-max. : 250V  
 WITHSTANDING VOLTAGE : 1500V  
 INSULATION RESISTANCE : 500K Megohms min.  
 TEMPERATURE RANGE : -40° to +105°C



SEC:N-N



RECOMMENDED PCB LAYOUT

CIRCUITS	DIM. A	DIM. B
2	5.08±0.10	10.16±0.15
3	10.16±0.10	15.24±0.15
4	15.24±0.10	20.32±0.15
5	20.32±0.10	25.40±0.15
6	25.40±0.10	30.48±0.20
7	30.48±0.20	35.56±0.20
8	35.56±0.20	40.64±0.20
9	40.64±0.20	45.72±0.20
10	45.72±0.20	50.80±0.25
11	50.80±0.20	55.88±0.25
12	55.88±0.25	60.96±0.25
13	60.96±0.25	66.04±0.30
14	66.04±0.25	71.12±0.30
15	71.12±0.25	76.20±0.30
16	76.20±0.25	81.28±0.30
17	81.28±0.30	86.36±0.30
18	86.36±0.30	91.44±0.30
19	91.44±0.30	96.52±0.30
20	96.52±0.30	101.60±0.30

RoHS Compliant

TOLERANCES ARE

**MORETHANALL**  
 PCB CONNECTORS  
 Cable ASSEMBLIES

煜倫股份有限公司

www.morethanall.com

DRAWING BY CY

CHECKED BY GENIUS

UNIT / mm

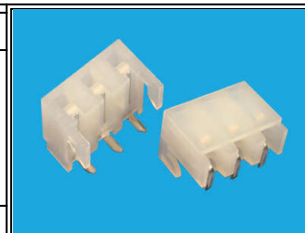
SCALE 1 : 1

DATE

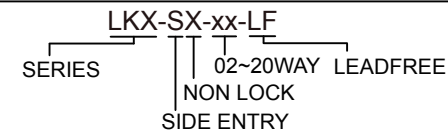
SIZE A4

P PROJECTION

X, ±  
 .X ± 0.20  
 .XX ± 0.10  
 .XXX ±  
 ANG ±



ORDER INFORMATION



DESCRIPTION: RIGHT ANGLE TYPE FOR 5.08MM PITCH FEMALE CONN.