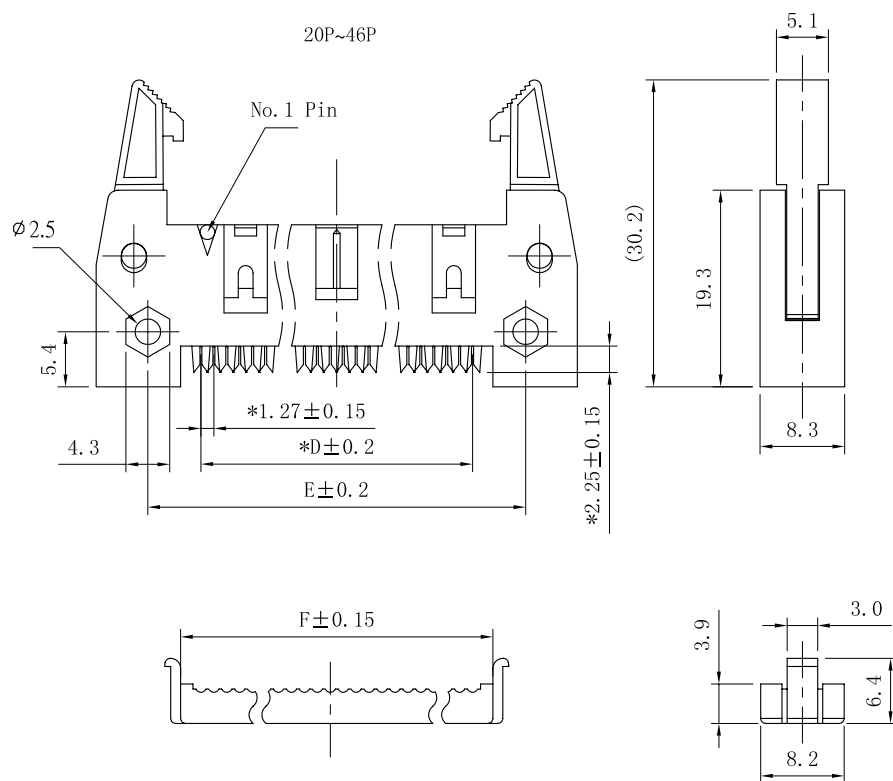
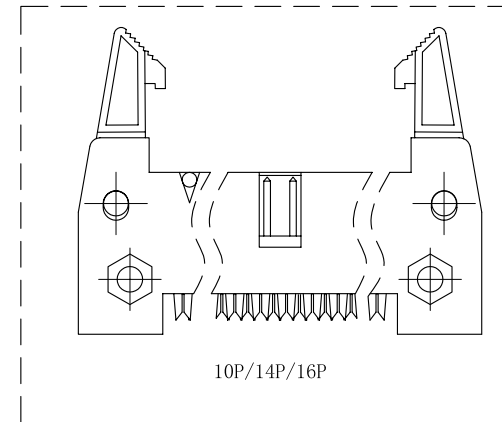


Material:
 Insulator: PBT+30% Glass Fiber (UL94V-0).
 Contact: Copper Alloy.
 Contact Plated: Gold or Tin over Nickel Plated.
 Gold or Tin over Nickel Plated.

Specification:
 Current Rating: 1 Amp.
 Withstanding Voltage: AC 500V for 1 Minute.
 Insulation Resistance: 1000MΩ Min. at DC 500V.
 Contact Resistance: 15mΩ Max.
 Operating Temperature: -40° C ~ +105° C.



Pos.	Dim. A	Dim. B	Dim. C	Dim. D	Dim. E	Dim. F
10	10.16	18.10	32.00	11.43	21.86	15.42
14	15.24	23.18	37.08	16.51	26.94	20.50
16	17.78	25.72	39.62	19.05	29.48	23.04
20	22.86	30.80	44.70	24.13	34.56	28.12
24	27.94	35.88	49.78	29.21	39.64	33.20
26	30.48	38.42	52.32	31.75	42.18	35.74
30	35.56	43.50	57.40	36.83	47.26	40.82
34	40.64	48.58	62.48	41.91	52.34	45.90
40	48.26	56.20	70.10	49.53	59.96	53.52
50	60.96	68.90	82.80	62.23	72.66	66.22
60	73.66	81.60	95.50	74.93	85.36	78.92
64	78.74	86.68	100.58	80.01	90.44	84.00

RoHS Compliant

TOLERANCES ARE

MORETHANALL
 PCB CONNECTORS
 Cable ASSEMBLIES

DRAWING BY CY

X. ± 0.30

CHECKED BY GENIUS

.X ± 0.20

UNIT / mm

SCALE 1 : 1

.XX ± 0.10

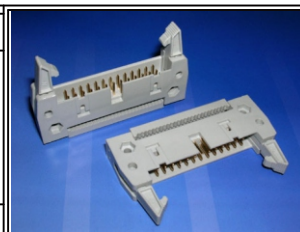
DATE

.XXX ± 0.03

ANG ±

SIZE A4

PPOJECTION



ORDER INFORMATION

L-C2-xx-LF
 SERIES | LEADFREE
 10-64WAY
 TWO TYPE

煜倫股份有限公司

www.morethanall.com

DESCRIPTION: