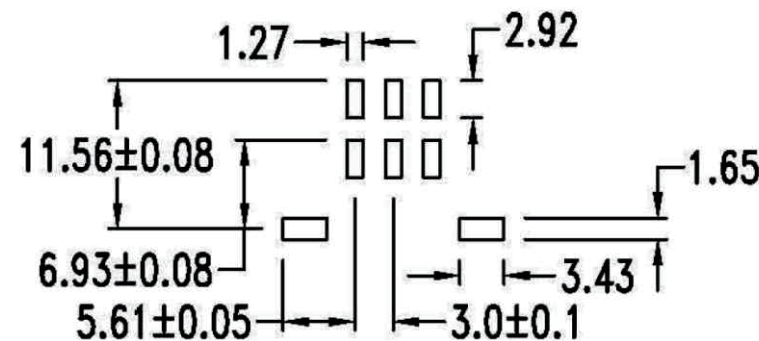
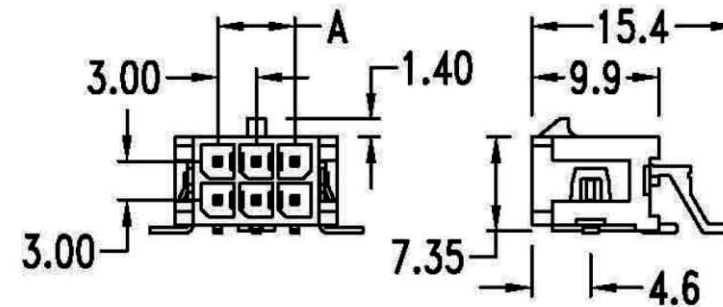
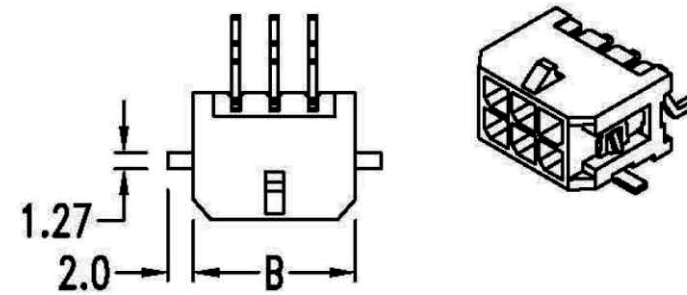


Features:

- 2 ~ 24 circuits available
- Material: LCP
- Tin-plated brass pin

Specification:

- Current rating: 5A AC, DC
- Voltage rating: 250V AC, DC
- Contact resistance: 10mΩ Max.
- Dielectric withstanding voltage: 1500V AC/minute
- Ambient temperature range: -25°C ~ 85°C



PCB Layout: Component side

Dimensional Information

Circuits	Dim. A	Dim. B	Circuits	Dim. A	Dim. B	Circuits	Dim. A	Dim. B	Circuits	Dim. A	Dim. B	Circuits	Dim. A	Dim. B	Circuits	Dim. A	Dim. B
2		6.65	6	6.0	12.65	10	12.0	18.65	14	18.0	24.65	18	24.0	30.65	22	30.0	36.65
4	3.0	9.65	8	9.0	15.65	12	15.0	21.65	16	21.0	27.65	20	27.0	33.65	24	33.0	39.65

MORETHANALL
PCB CONNECTORS
Cable ASSEMBLIES

煜倫股份有限公司

www.morethanall.com

RoHS Compliant

DRAWING BY CY

CHECKED BY GENIUS

UNIT/mm SCALE 1:1

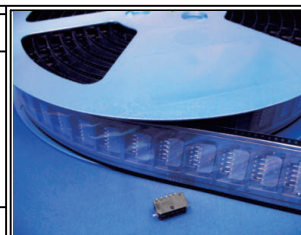
DATE

SIZE A4

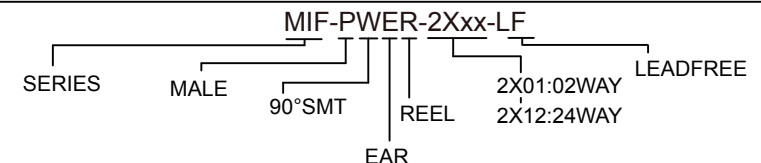
TOLERANCES ARE

X.±
.X±
.XX±
.XXX±
ANG±

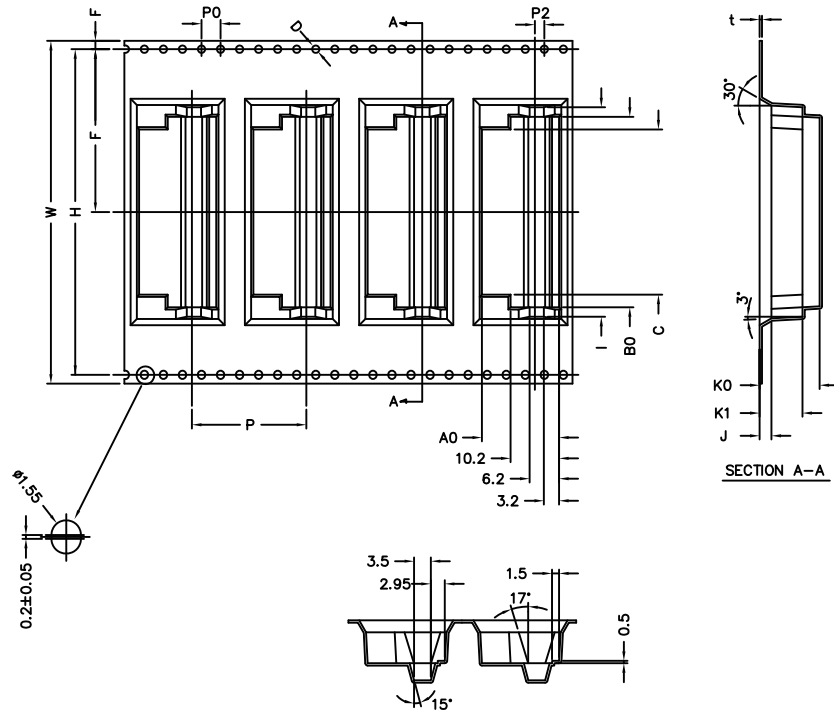
PJECTION



ORDER INFORMATION



DESCRIPTION:



ITEM	W	H	A0	B0	K0	K1	P	F	E	D	t	P ₀	P ₂	C	I	J
2	24.0 ^{+0.30} _{-0.30}		16.2 ^{+0.10} _{-0.10}	7.0 ^{+0.10} _{-0.10}	11.4 ^{+0.10} _{-0.10}	9.0 ^{+0.10} _{-0.10}	20.0 ^{+0.10} _{-0.10}	11.5 ^{+0.10} _{-0.10}	1.75 ^{+0.10} _{-0.10}	1.50 ^{+0.10} _{-0.10}	0.4	4.00 ^{+0.10} _{-0.10}	2.00 ^{+0.10} _{-0.10}	4.00	11.00	2.00
4	24.0 ^{+0.30} _{-0.30}		16.2 ^{+0.10} _{-0.10}	10.0 ^{+0.10} _{-0.10}	11.4 ^{+0.10} _{-0.10}	9.0 ^{+0.10} _{-0.10}	20.0 ^{+0.10} _{-0.10}	11.5 ^{+0.10} _{-0.10}	1.75 ^{+0.10} _{-0.10}	1.50 ^{+0.10} _{-0.10}	0.4	4.00 ^{+0.10} _{-0.10}	2.00 ^{+0.10} _{-0.10}	4.70	14.00	2.00
6	32.0 ^{+0.30} _{-0.30}	28.4 ^{+0.20} _{-0.20}	16.2 ^{+0.10} _{-0.10}	13.0 ^{+0.10} _{-0.10}	11.4 ^{+0.10} _{-0.10}	9.0 ^{+0.10} _{-0.10}	20.0 ^{+0.10} _{-0.10}	14.2 ^{+0.10} _{-0.10}	1.75 ^{+0.10} _{-0.10}	1.50 ^{+0.10} _{-0.10}	0.4	4.00 ^{+0.10} _{-0.10}	2.00 ^{+0.10} _{-0.10}	7.70	17.00	2.00
8	32.0 ^{+0.30} _{-0.30}	28.4 ^{+0.20} _{-0.20}	16.2 ^{+0.10} _{-0.10}	16.0 ^{+0.10} _{-0.10}	11.4 ^{+0.10} _{-0.10}	9.0 ^{+0.10} _{-0.10}	20.0 ^{+0.10} _{-0.10}	14.2 ^{+0.10} _{-0.10}	1.75 ^{+0.10} _{-0.10}	1.50 ^{+0.10} _{-0.10}	0.4	4.00 ^{+0.10} _{-0.10}	2.00 ^{+0.10} _{-0.10}	10.7	20.00	2.00
10	44.0 ^{+0.30} _{-0.30}	40.0 ^{+0.20} _{-0.20}	16.2 ^{+0.10} _{-0.10}	19.0 ^{+0.10} _{-0.10}	11.4 ^{+0.10} _{-0.10}	9.0 ^{+0.10} _{-0.10}	20.0 ^{+0.10} _{-0.10}	20.2 ^{+0.15} _{-0.15}	1.75 ^{+0.10} _{-0.10}	1.50 ^{+0.10} _{-0.10}	0.4	4.00 ^{+0.10} _{-0.10}	2.00 ^{+0.10} _{-0.10}	13.7	23.00	2.00
12	44.0 ^{+0.30} _{-0.30}	40.0 ^{+0.20} _{-0.20}	16.2 ^{+0.10} _{-0.10}	22.0 ^{+0.10} _{-0.10}	12.6 ^{+0.10} _{-0.10}	9.0 ^{+0.10} _{-0.10}	24.0 ^{+0.10} _{-0.10}	20.2 ^{+0.15} _{-0.15}	1.75 ^{+0.10} _{-0.10}	1.50 ^{+0.10} _{-0.10}	0.5	4.00 ^{+0.10} _{-0.10}	2.50 ^{+0.10} _{-0.10}	16.7	26.00	2.50
14	44.0 ^{+0.30} _{-0.30}	40.0 ^{+0.20} _{-0.20}	16.2 ^{+0.10} _{-0.10}	25.0 ^{+0.10} _{-0.10}	12.6 ^{+0.10} _{-0.10}	9.0 ^{+0.10} _{-0.10}	24.0 ^{+0.10} _{-0.10}	20.2 ^{+0.15} _{-0.15}	1.75 ^{+0.10} _{-0.10}	1.50 ^{+0.10} _{-0.10}	0.5	4.00 ^{+0.10} _{-0.10}	2.00 ^{+0.10} _{-0.10}	19.7	29.00	2.50
16	56.0 ^{+0.30} _{-0.30}	52.4 ^{+0.20} _{-0.20}	16.2 ^{+0.10} _{-0.10}	28.0 ^{+0.10} _{-0.10}	12.6 ^{+0.10} _{-0.10}	9.0 ^{+0.10} _{-0.10}	24.0 ^{+0.10} _{-0.10}	26.2 ^{+0.15} _{-0.15}	1.75 ^{+0.10} _{-0.10}	1.50 ^{+0.10} _{-0.10}	0.5	4.00 ^{+0.10} _{-0.10}	2.00 ^{+0.10} _{-0.10}	22.7	32.00	2.50
18	56.0 ^{+0.30} _{-0.30}	52.4 ^{+0.20} _{-0.20}	16.2 ^{+0.10} _{-0.10}	31.0 ^{+0.10} _{-0.10}	12.6 ^{+0.10} _{-0.10}	9.0 ^{+0.10} _{-0.10}	24.0 ^{+0.10} _{-0.10}	26.2 ^{+0.15} _{-0.15}	1.75 ^{+0.10} _{-0.10}	1.50 ^{+0.10} _{-0.10}	0.5	4.00 ^{+0.10} _{-0.10}	2.00 ^{+0.10} _{-0.10}	25.7	35.00	2.50
20	56.0 ^{+0.30} _{-0.30}	52.4 ^{+0.20} _{-0.20}	16.2 ^{+0.10} _{-0.10}	34.0 ^{+0.10} _{-0.10}	12.6 ^{+0.10} _{-0.10}	9.0 ^{+0.10} _{-0.10}	24.0 ^{+0.10} _{-0.10}	26.2 ^{+0.15} _{-0.15}	1.75 ^{+0.10} _{-0.10}	1.50 ^{+0.10} _{-0.10}	0.5	4.00 ^{+0.10} _{-0.10}	2.00 ^{+0.10} _{-0.10}	28.7	38.00	2.50
22	56.0 ^{+0.30} _{-0.30}	52.4 ^{+0.20} _{-0.20}	16.2 ^{+0.10} _{-0.10}	37.0 ^{+0.10} _{-0.10}	12.6 ^{+0.10} _{-0.10}	9.0 ^{+0.10} _{-0.10}	24.0 ^{+0.10} _{-0.10}	26.2 ^{+0.15} _{-0.15}	1.75 ^{+0.10} _{-0.10}	1.50 ^{+0.10} _{-0.10}	0.5	4.00 ^{+0.10} _{-0.10}	2.00 ^{+0.10} _{-0.10}	31.7	41.00	2.50
24	72.0 ^{+0.30} _{-0.30}	68.4 ^{+0.20} _{-0.20}	16.2 ^{+0.25} _{-0.10}	40.0 ^{+0.25} _{-0.10}	12.6 ^{+0.25} _{-0.10}	9.0 ^{+0.25} _{-0.10}	24.0 ^{+0.10} _{-0.10}	34.2 ^{+0.15} _{-0.15}	1.75 ^{+0.10} _{-0.10}	1.50 ^{+0.10} _{-0.10}	0.5	4.00 ^{+0.10} _{-0.10}	2.00 ^{+0.15} _{-0.15}	34.7	44.00	2.50

- 1.10 sprocket hole pitch cumulative tolerance $\pm 0.20\text{mm}$.
2. Carrier camber not to exceed 1mm in 100mm.
3. A₀ and B₀ measured on a plane 0.3mm above the bottom of the pocket.
4. K₀ measured from a plane on the inside bottom of the pocket to the top surface of the carrier.
5. All dimensions meet EIA-481-2 requirements.
6. Material: Black Anti-static Polystyrene.
7. Thickness: 0.50 ± 0.05 mm.
8. Packing length per 22" reel : 17.5 Meters.
9. Component loaded per 13" reel : 200 pcs.

MORETHANALL
PCB CONNECTORS
Cable ASSEMBLIES

煜倫股份有限公司

www.morethanall.com

RoHS Compliant

DRAWING BY CY

CHECKED BY GENIUS

UNIT/mm SCALE 1:1

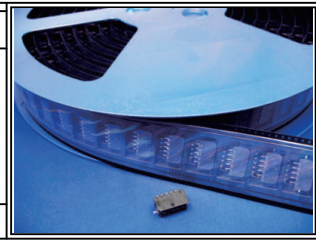
DATE

SIZE A4

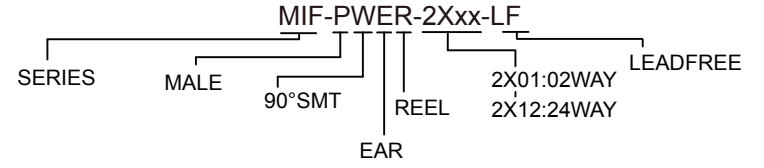
TOLERANCES ARE

X, \pm
X, \pm
.XX, \pm
.XXX, \pm
ANG, \pm

PJECTION



ORDER INFORMATION



DESCRIPTION: