

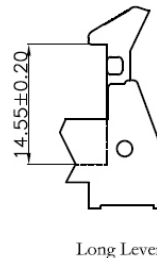
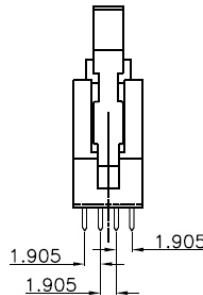
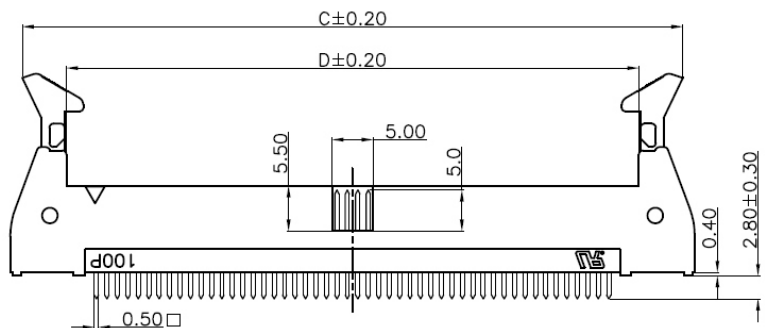
Material:

Housing: 30% Glass filled PBT UL94V-0.
Contacts: Brass.
Plating: Gold plated over nickel.
 Tin plated over nickel.
 Selective gold plated: Gold plated on mating area and tin plated on solder tail.

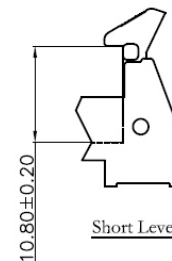
Electrical Characteristics:

Current Rating: 0.5 AMP.
Insulator Resistance: 5000MΩ min. at DC 500V.
Contact Resistance: 20mΩ max. at DC 100mA.
Operating Temperature: -55°C~+105°C.

***RoHS Compliant**

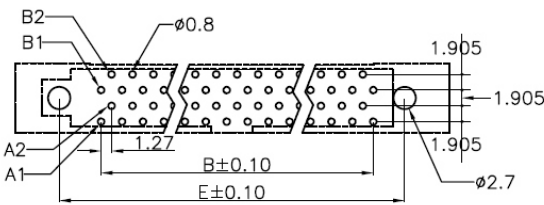


Long Lever

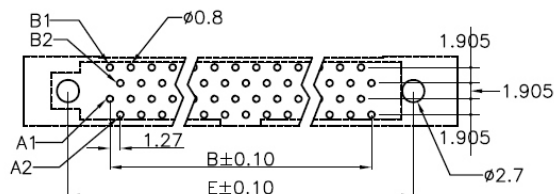


Short Lever

Position	Dimension				
	A	B	C	D	E
20	32.36	11.43	29.35	18.75	21.59
26	36.18	15.24	33.16	22.56	25.40
32	39.98	19.05	36.97	26.37	29.21
34	41.25	20.32	38.24	27.64	30.48
40	45.06	24.13	42.05	31.45	34.29
50	51.41	30.48	48.40	37.80	40.64
52	52.68	31.75	49.67	39.07	41.91
60	57.76	36.83	54.75	44.15	46.99
68	62.84	41.91	59.83	49.23	52.07
80	70.46	49.53	67.45	56.85	59.69
100	83.16	62.23	80.25	69.55	72.39



P.C. Board Layout Top View
(26,34,50 Position)



P.C. Board Layout Top View
(20,32,40,52,60,68,80,100 Position)

HL-D4xx-xxx-LF
LEADFREE

BLANK: LONG / LATCH
SL: SHORT / LATCH

RoHS Compliant



PART NO. HL-D4xx-xxx

DWG NO. HL-D4xx-xxx

CHECKED BY CY

TOLERANCES ARE

DESCRIP TION:

FILE NO.

DRAWING BY

.X ± 0.2
.XX ± 0.1
.XXX ±
AWG

AREA

REVISIONS

HK

DATE

煜倫股份有限公司

UNIT / mm

SCALE 1:1

PROJECTION

