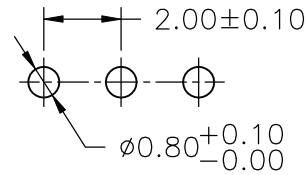
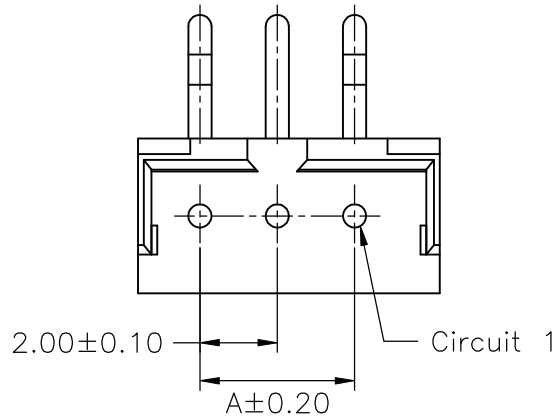
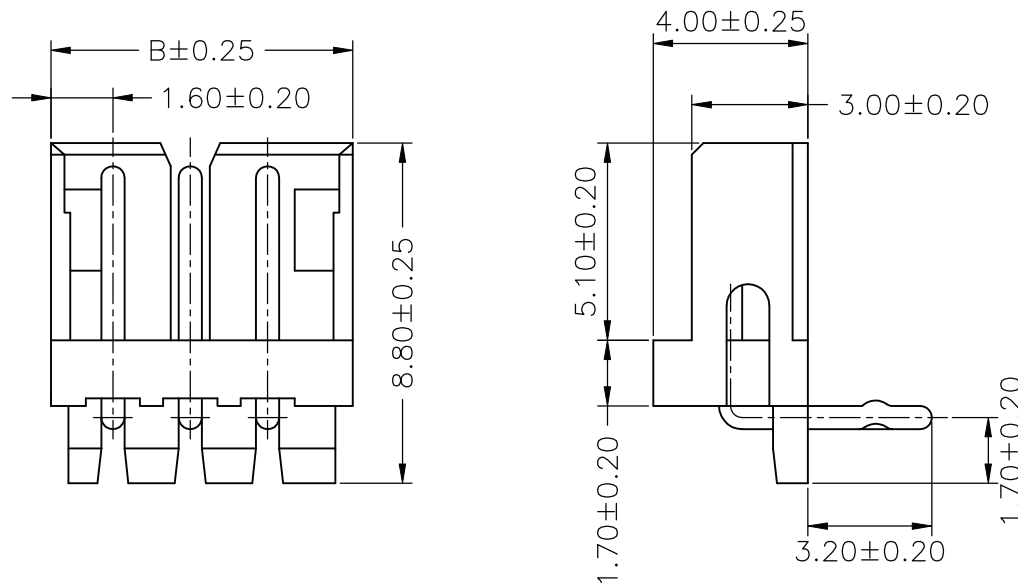


SPECIFICATIONS

Current Rating: 1A AC,DC
 Voltage Rating: 100V AC,DC
 Temperature Range: -25°C ~ +85°C
 Contact Resistance: 20mΩ Max.
 Insulation Resistance: 1000MΩ Min.
 Withstanding Voltage: 800V AC/minute
 Pin Material: Brass/Tin-plated
 Material: Nylon 66,UL94V-0



P.C.B. LAYOUT



Ordering Information & Dimensions

PART NO.	Dimensions	
	A	B
CT-R-02	2.00	5.96
CT-R-03	4.00	7.96
CT-R-04	6.00	9.96
CT-R-05	8.00	11.96
CT-R-06	10.00	13.96
CT-R-07	12.00	15.96
CT-R-08	14.00	17.96
CT-R-09	16.00	19.96
CT-R-10	18.00	21.96
CT-R-11	20.00	23.96
CT-R-12	22.00	25.96
CT-R-13	24.00	27.96
CT-R-14	26.00	29.96
CT-R-15	28.00	31.96

RoHS Compliant

TOLERANCES ARE

MORETHANALL
 PCB CONNECTORS
 Cable ASSEMBLIES

DRAWING BY CY

CHECKED BY GENIUS

UNIT / mm

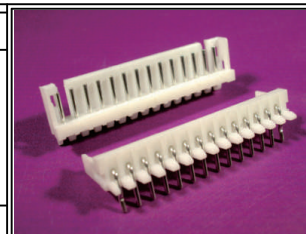
SCALE 1:1

DATE

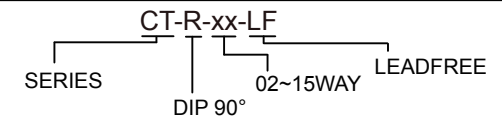
SIZE A4

PPOJECTION

X, ±
 .X ±
 .XX ±
 .XXX ±
 ANG ±



ORDER INFORMATION



煜倫股份有限公司

www.morethanall.com

DESCRIPTION: 2.00mm PITCH 180° WAFER