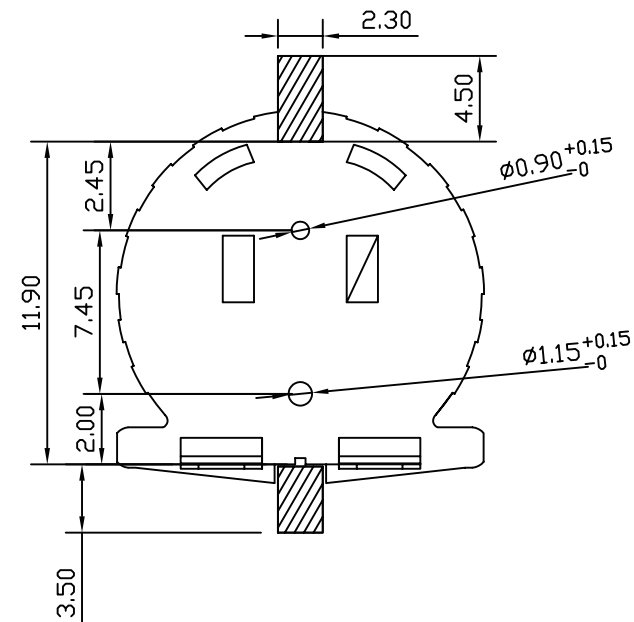


SECTION A-A



P. C. B LAYOUT

NOTES:

1. MATERIAL:
 - a. HOUSING: PPS UL94 V-0
 - b. CONTACT: PHOSPHOR BRONZE.
(SURFACE PLATING: Sn100u" + Ni50u")
2. ELECTRIC:
 - a. CONTACT RESISTANCE: 30 MLLIOHMS MAX
 - b. INSULATION RESISTANCE: 1000MEGA OHMS MIN
 - c. DIELECTNIC VOLTAGE: 500V AC ONE SEC LEVEL
 - d. OPERATING TEMPERATURE: -55°C-105°C
3. Applicable : Battery CR1220

RoHS Compliant

TOLERANCES ARE

MORETHANALL
PCB CONNECTORS
Cable ASSEMBLIES

煜倫股份有限公司

www.morethanall.com

DRAWING BY CY

CHECKED BY GENIUS

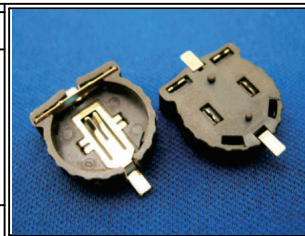
UNIT/ mm SCALE 1:1

DATE

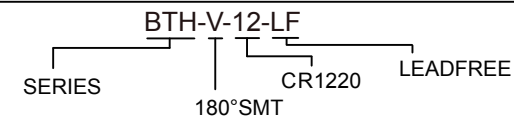
SIZE A4

X. ±
.X ± 0.25
.XX ± 0.13
.XXX ± 0.05
ANG ±

P PROJECTION



ORDER INFORMATION



DESCRIPTION: BATTERY BOX HOLDER