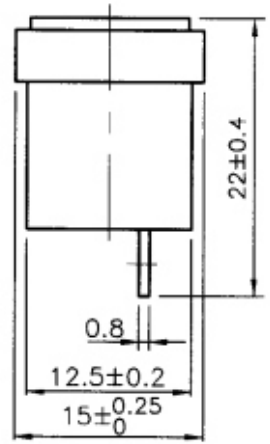
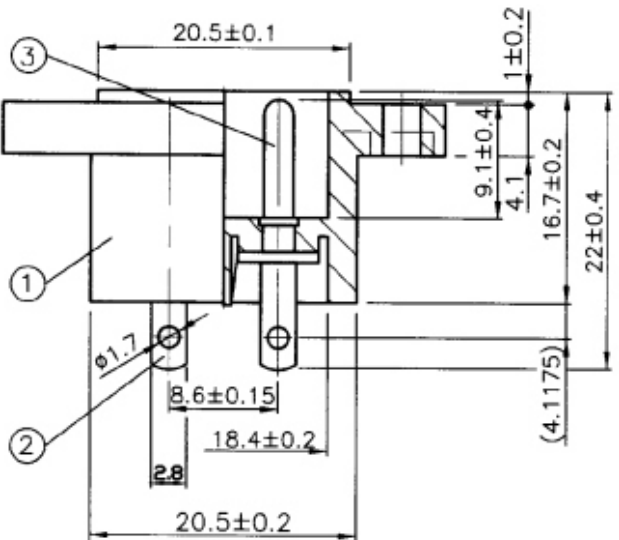
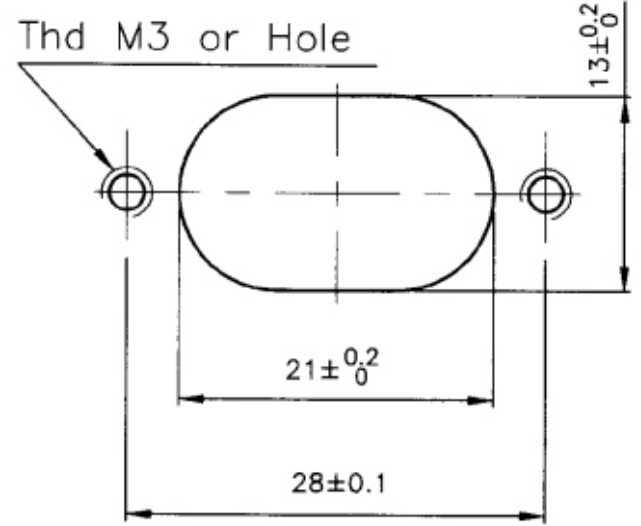
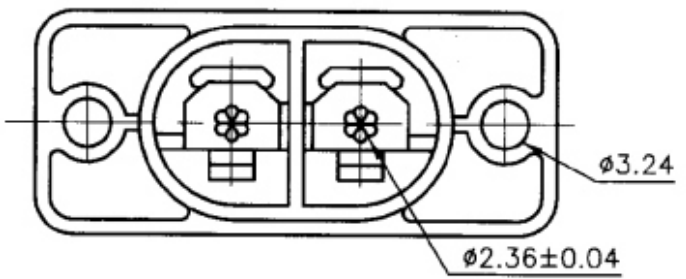
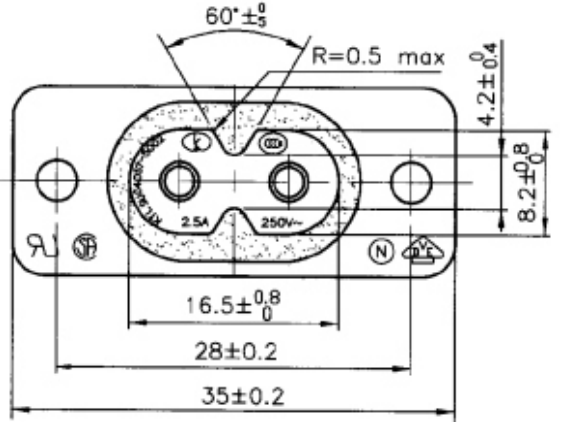


PANEL CUT-OUT



Rating: 2.5A 250V AC
 Approvals: UL/CSA/VDE/NEMKO/CCC /KTL

RoHS Compliant

TOLERANCES ARE



煜倫股份有限公司

www.morethanall.com

DRAWING BY CY
 CHECKED BY GENIUS
 UNIT / mm SCALE 1 : 1
 DATE

X. ±
 .X ±
 .XX ±
 .XXX ±
 ANG ±

SIZE A4 PROJECTION



ORDER INFORMATION

ACC-PSPE-02-LF
 SERIES | | | LEADFREE
 | | | 02 WAY
 | | | EAR
 | | | PANEL
 | | | SOLDER
 | | | MALE

DESCRIPTION: