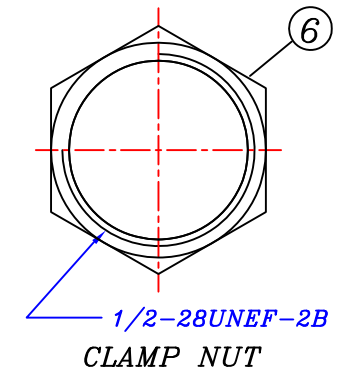
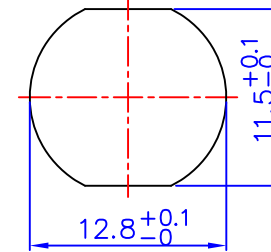
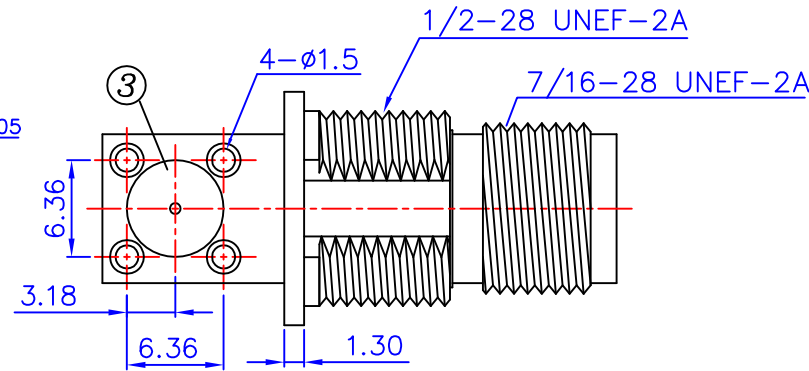
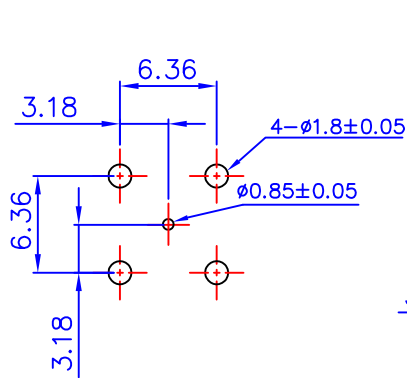


WASHER



CLAMP NUT

RECOMMENDED PC BOARD LAYOUT  
WITHOUT MOUNTING POSTS

RECOMMENDED MOUNTING HOLE  
MAXIMUM PANEL THICKNESS: 5.5MM

**MATERIAL & FINISH**

- ① CENTER CONTACT : PHOSPHOR BRONZE, GOLD PLATING
- ② BODY : ZINC ALLOY, NICKEL PLATING
- ③ INSULATOR : TPX
- ④ MOUNTING POST : BRONZE, TIN PLATING
- ⑤ WASHER : STEEL, NICKEL PLATING
- ⑥ NUT : BRASS, NICKEL PLATING

RoHS Compliant

TOLERANCES ARE

**MORETHANALL**  
PCB CONNECTORS  
Cable ASSEMBLIES

煜倫股份有限公司

www.morethanall.com

DRAWING BY CY

CHECKED BY GENIUS

UNIT / mm SCALE 1 : 1

DATE

SIZE A4

X. ±  
.X ±  
.XX ±  
.XXX ±  
ANG ±

PJECTION



ORDER INFORMATION

TNC-JRPBZANW-50-LF  
SERIES | | | | | LEADFREE  
JACK | | | | | 50 OHM  
DIP 90° | | | | | WASHER  
PANEL | | | | | NUT  
BACK | | | | | ZINC ALLOY

DESCRIPTION: 50 OHM TNC CONNECTOR RIGHT ANGLE  
PCB MOUNT, JACK