

Material:
 Plastic Body : LCP+35%GF, Color Black.
 Slider : LCP+35%GF, Color Black.

Contact :Phosphor Bronze Alloy (C5210R-EH)
 Contacts Plating:Contact area: Gold 10 micro inches (Min.)
 Solder area: Gold flash
 All under-plated Ductile Nickel 50 micro inches (Min.)

Shell :SUS304R-3/4H
 Plating:
 Contact area: Gold flash
 Solder area: Gold flash
 All under-plated Ductile Nickel 12 micro inches (Min.)

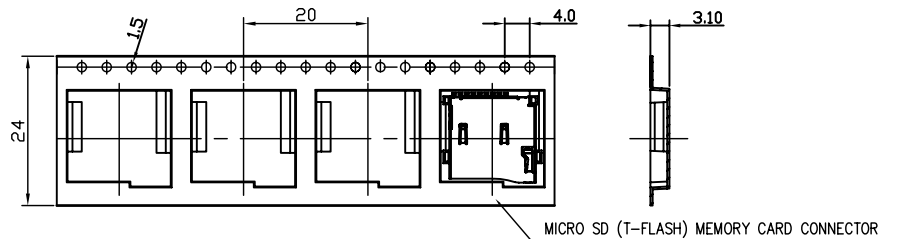
Spring : Piano Wire
 Drag Link : SUS304

TFC-WPBPR-08-LF
 LEADFREE
 RoHS Compliant

CARD DETECTION SWITCH		PART NAME	Q'TY	MATERIAL
WHEN CARD IS EJECTED	WHEN CARD IS INSERTED	BODY	1	LCP+35%GF
OPEN	CLOSE	SLIDER	1	LCP+35%GF
		CONTACT	1	C5210R-EH
Cd G	Cd G	SHELL	1	SUS304R-3/4H
		DRAG LINK	1	SUS304
		SPRING	1	PIANO WIRE

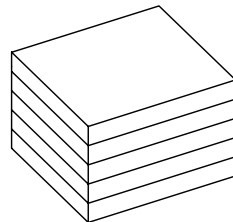
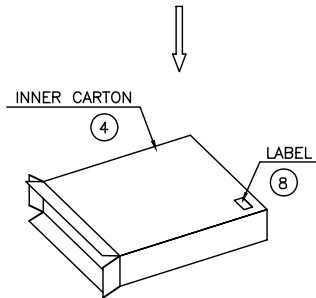
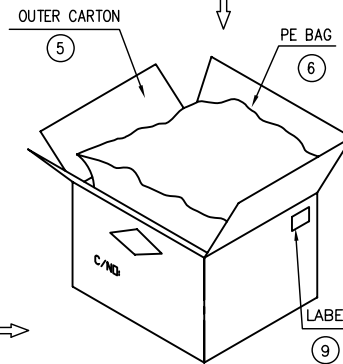
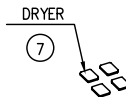
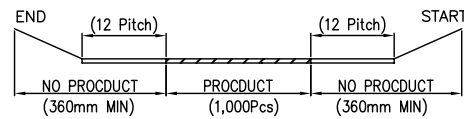
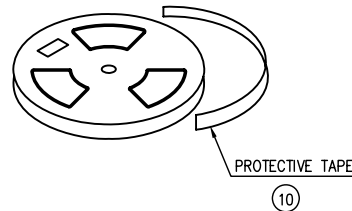
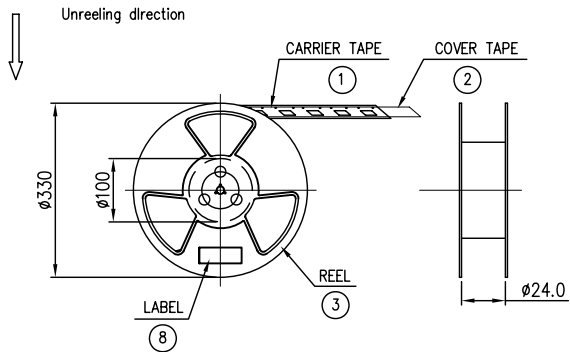
PIN NUMBER	PIN ASSIGNMENT	PIN NUMBER	PIN ASSIGNMENT
1	DAT2	6	VSS
2	CD/DAT3	7	DAT0
3	CMD	8	DAT1
4	VDD	Cd	CARD DETECTION
5	CLK	G	GROUND

	PART NO. TFC-WPBPR-08		CHECKED BY CY	TOLERANCES ARE .X ± 0.2 .XX ± .XXX ± AWG	DESCRIP TION: Micro SD Socket Push-Push Type		
	DWG NO. TFC-WPBPR-08					DRAWING BY	
	FILE NO.		PROJECTION	AREA	REVISIONS	HK	DATE
	UNIT / mm	SCALE 1:1					



NOTES:

1. PACKING STYLE 1,000 PCS/REEL
2 REEL/INNER CARTON
10,000 PCS/OUTER CARTON
2. MATERIAL CARRIER TAPE:PS BLACK
COVER TAPE:PET FILM
REEL:PLASTIC
3. PEEL STRENGTH OF COVER TAPE:20-80g(PEEL SPEED 300mm/MINUTE).



10	PROTECTIVE TAPE	1	PCS	
9	LABEL	1	PCS	
8	LABEL	15	PCS	
7	DRYER	4	BAG	
6	PE BAG	1	PCS	L850*W750mm
5	OUTER CARTON	1	PCS	
4	INNER CARTON	5	PCS	
3	REEL	10	SET	φ330*100mm,W=24mm
2	COVER TAPE	1,000	10	PCS
1	CARRIER TAPE			W=21.5mm,20.8M W=24mm,T=0.35mm,20.8M/REEL
NO	PACKING NAME	PCS/T	T/BOX	UNIT
		PACKING QTY		NOTE

MORETHANALL
CONNECTORS
ASSEMBLIES

PART NO. TFC-WPBPR-08

DWG NO. TFC-WPBPR-08

FILE NO.

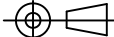
UNIT / mm

SCALE 1:1

CHECKED BY CY

DRAWING BY

PROJECTION



TOLERANCES ARE

.X ± 0.2

.XX ±

.XXX ±

AWG

DESCRIPTION:

Micro SD Socket
Push-Push Type

AREA

REVISIONS

HK

DATE

煜倫股份有限公司