

RECOMMENDED PCB LAYOUT(TOP VIEW)

NOTE:

MATERIAL:

HOUSING: THERMOPLASTIC(UL 94V-0),BLACK COLOR

CONTACT: BRASS.

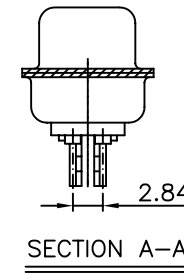
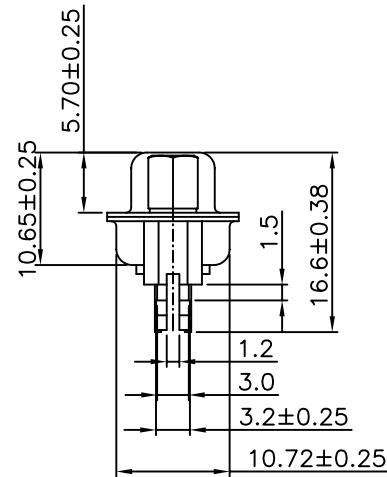
PLATING: GOLD FLASH PLATED ON CONTACT AREA,

100u" MIN. TIN PLATED ON SOLDER TAILS,

50u" MIN. NICKEL PLATED UNDER OVERALL.

PLATING: GOLD FLASH PLATED OVERALL.

SHELL: STEEL, 60u" MIN. TIN PLATED OVERALL.



No. of Contacts	A±0.25	B±0.25	C±0.38	D±0.25
09F	16.33	24.99	30.80	19.20
15F	24.66	33.32	39.20	27.60
25F	38.38	47.08	53.10	41.10
37F	54.84	63.51	69.40	57.32

DD-SGZJ-xx-LF
LEADFREE

RoHS Compliant

MORETHANALL
CONNECTORS
ASSEMBLIES

煜倫股份有限公司

PART NO. DD-SGZJ-xx

DWG NO. DD-SGZJ-xx

FILE NO.

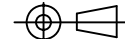
UNIT / mm

SCALE 1:1

CHECKED BY CY

DRAWING BY

PROJECTION



TOLERANCES ARE

.X±0.2

.XX±0.1

.XXX±

AWG

DESCRIPTION: D-SUB P.C.B. STRAIGHT TYPE STAMPED PINS LEAD FREE

AREA

REVISIONS

HK

DATE